

## Data Sheet

# 1279 Duragauge® Pressure Gauge

### FEATURES

- Custom dial printing options
- Micrometer adjustable pointer
- **PLUS™** Performance option dampens vibration, shock and pulsation effects
- Pressure range from Vacuum to 30,000 psi

### TYPICAL USES

- Refineries
- Chemical and petrochemical plants
- Offshore oil rigs
- Water and wastewater pressure control
- Pulp and water
- Mining and metals
- Equipment skids
- Specialized OEM equipment
- Cryogenics



1279  
4 1/2" dial size



### SPECIFICATIONS

Accuracy:	±0.5% of span (ASME B40.100 Grade 2A)
Size:	4 1/2"
Range:	Vacuum, Compound to 30,000 psi
Process Connection Location:	Lower, back, side, top
Process Connection:	1/4 NPT Male, 1/2 NPT Male, 3/16-18 UNF-2B (high pressure connection)
Case Style:	Solid front with pressure relief back
Window:	Glass (STD.), acrylic, shatter proof glass, non-glare glass (OPT.)
Movement:	Rotary, adjustable, 400 SS, Teflon® coated
Movement Materials:	400 SS, Teflon® coated pinion gear and segment
Dial:	Aluminum, white background, black scale
Pointer:	Micrometer, adjustable, aluminum
Weather Protection:	Dry case: Case not sealed, recommended for weather protected environment only Liquid filled or field fillable: IP66 or NEMA 4X (S&P tube and socket), NEMA 4 (A&R tube and socket) Hermetically sealed: IP66
Dampening Options:	Liquid: glycerin, silicone, Halocarbon®, <b>PLUS!™</b> Performance
Mounting:	Stem, surface (STD.), flush, pipe, remote (OPT.)
Approvals:	CRN

### WETTED COMPONENTS

Bourdon Tube	Process Connection Materials	Joints
316L SS	316L SS	Welded
316L SS	Steel	Welded
K-Monel® 500 Tube	Monel® 400	Welded
C510 Phos. Bronze	Brass	Silver brazed

### KEY BENEFITS

- Available with a wide variety of accessory and diaphragm seal assemblies
- Available with high process temperature dissipation siphons

### MIN/MAX TEMPERATURE LIMITS

Version	Ambient	Process	Storage
Dry	-20°F to 200°F (-29°C to 93°C)	-20°F to 250°F (-29°C to 121°C)	-40°F to 250°F (-40°C to 121°C)
<b>PLUS!™</b>	-40°F to 150°F (-40°C to 66°C)	-40°F to 200°F (-40°C to 93°C)	-40°F to 150°F (-40°C to 66°C)
Glycerin fill	20°F to 150°F (-7°C to 66°C)	20°F to 150°F (-7°C to 66°C)	0°F to 150°F (-18°C to 66°C)
Silicone fill	-40°F to 150°F (-40°C to 66°C)	-40°F to 200°F (-40°C to 93°C)	-40°F to 150°F (-40°C to 66°C)
Halocarbon® fill	-40°F to 150°F (-40°C to 66°C)	-40°F to 200°F (-40°C to 93°C)	-40°F to 150°F (-40°C to 66°C)

### NON-WETTED COMPONENTS

Case	Ring	Pressure Relief Back
Phenolic	Threaded, Polycarbonate (Meets UL 94 V-0)	Polycarbonate (Meets UL 94 V-0)

# Data Sheet

## 1279 Duragauge<sup>®</sup> Pressure Gauge

ORDERING CODE	Example:	451279	S	SH	04	L	XLL	15#
<b>Dial Size/Model Code</b>								
451279 - 4½" solid front		451279						
<b>System (tube and process connection)</b>								
A - Bronze tube, brass process connection, Max. pressure connection 1,000 psi								
P - K-Monel <sup>®</sup> 500 tube, Monel <sup>®</sup> 400 process connection, Max. pressure 30,000 psi								
R - 316L SS tube, steel process connection, Max. pressure 30,000 psi								
S - 316 SS tube, 316L SS process connection, Max. pressure 30,000 psi			S					
<b>Case Design</b>								
S - Solid front case, dry								
SH - Solid front case, dry, hermetically sealed				SH				
SL - Solid front case, liquid filled (glycerin STD.)								
<b>Process Connection Sizes</b>								
02 - ¼ NPT Male, N/A for ranges over 20,000 psi								
04 - ½ NPT Male, N/A for ranges over 20,000 psi					04			
09 - 9/16-18 UNF-2B, high pressure fitting, pressures over 20,000 psi (STD.)								
AM - AND 10050-4 (¼ tubing connection)								
RW - SAE 7/16-20 Straight thread								
<b>Process Connection Location</b>								
L - Lower						L		
B - Back								
D - Side (3 o'clock)								
E - Side connection (9 o'clock)								
T - Top connection								
<b>Options (If choosing an option(s) must include a "X") (See Table 1 on page 5 for more options)</b>								
GV - Silicone case fill							X__	
GX - Halocarbon <sup>®</sup> case fill								
LL - <b>PLUS!</b> <sup>™</sup> Performance								LL
NH - SS tag wired to case								
PD - Acrylic window (STD. with liquid filled or hermetically sealed cases)								
C4 - Individual calibration chart (in accordance with ASME B40.100:2013. Accuracy traceable to NIST)								
6B - Cleaned for oxygen service								
<b>Range (coding examples only, see range table on page 3 for all standard ranges)</b>								
<b>Single Scales</b>								
15# - 15 psi								15#
1BR - 1 bar								
1KG - 1 kg/cm <sup>2</sup>								
100KP - 100 kPa								
<b>Dual Scales</b>								
15#/BR - 15 psi inner scale, 1 bar outer scale								
1BR/# - 1 bar inner scale, 15 psi outer scale								

# Data Sheet

## 1279 Duragauge® Pressure Gauge

STANDARD PRESSURE RANGES					
	psi	bar	kPa	mPa	kg/cm <sup>2</sup>
Vacuum	30IMV	N1BR	N100KP	N1MP	N1KG
	-	N1/0.6BR	N100/60KP	0.1/0.06MP	N1/0.6KG
Compound	V/15#	-	-	-	-
	-	N1/1.5BR	N100/150KP	N0.1/0.15MP	N1/1.5KG
	V/30#	-	-	-	-
	-	N1/3BR	N100/300KP	N0.1/0.3MP	N1/3KG
	V/60#	-	-	-	-
	-	N1/5BR	N100/500KP	N0.1/0.5MP	N1/5KG
Positive Pressure	V/100#	-	-	-	-
	-	N1/9BR	N100/900KP	N0.1/0.9MP	N1/9KG
	15#	1BR	100KP	0.1MP	1KG
	20#	-	-	-	-
	-	1.6BR	160KP	0.16MP	1.6KG
	30#	-	-	-	-
	-	2.5BR	250KP	0.25MP	2.5KG
	60#	4BR	400KP	0.4MP	4KG
	-	6BR	600KP	0.6MP	6KG
	100#	-	-	-	-
	120#	-	-	-	-
	-	10BR	1000KP	1MP	10KG
	160#	-	-	-	-
	200#	-	-	-	-
	-	16BR	1600KP	1.6MP	16KG
	300#	-	-	-	-
	-	25BR	2500KP	2.5MP	25KG
	400#	-	-	-	-
	500#	-	-	-	-
	600#	40BR	4000KP	4MP	40KG
	800#	-	-	-	-
	-	60BR	6000KP	6MP	60KG
	1000#	-	-	-	-
	1500#	100BR	10000KP	10MP	100KG
	2000#	-	-	-	-
	-	160BR	16000KP	16MP	160KG
	3000#	-	-	-	-
	-	250BR	25000KP	25MP	250KG
	4000#	-	-	-	-
	5000#	-	-	-	-
6000#	400BR	40000KP	40MP	400KG	
8000#	-	-	-	-	
-	600BR	60000KP	60MP	600KG	
10000#	-	-	-	-	
15000#	1000BR	100000KP	100MP	1000KG	
20000#	-	-	-	-	
-	1600BR	-	160MP	1600KG	
30000#	-	-	-	-	
	2500BR	-	250MP	2500KG	

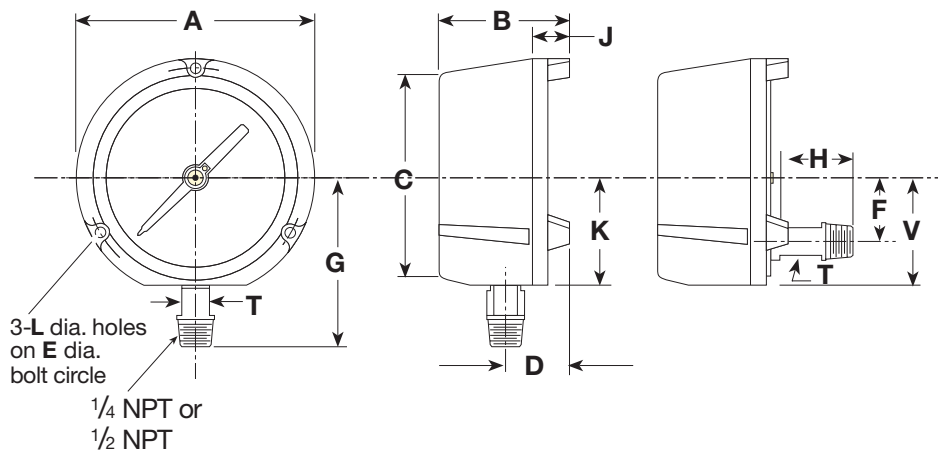
# Data Sheet

## 1279 Duragauge® Pressure Gauge

### DIMENSIONS in [ ] are millimeters

For reference only, consult Ashcroft for specific dimensional drawings

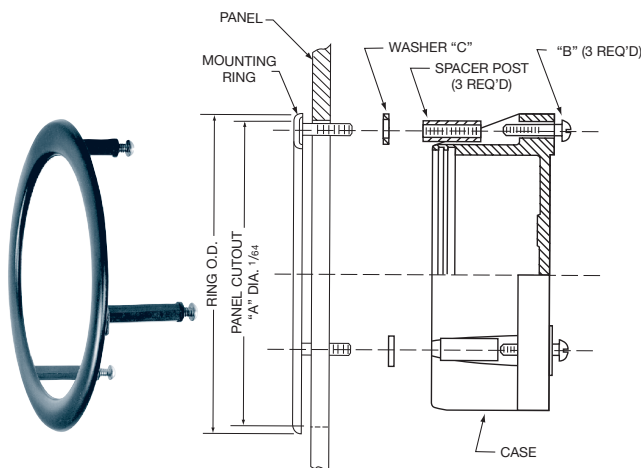
Dial Size Inches	A	B	C	D	E	F	G	H	J	K	T	V	Weight oz / kg
4½	5.81 [147.6]	3.36 [85.3]	5.07 [128.7]	1.06 [40.6]	5.375 [137]	1.62 [41.2]	3.92 [99.6]	0.73 [18.4]	0.22 [5.5]	2.62 [66.7]	0.94 [23.9]	2.625 [67]	2.5 (Dry) 3.5 (L.F.)



### 1278M Series Flush Mounting Ring

1278M Series Flush Mounting Ring. Used to flush mount gauge case 1279(\*)S. Black finish (STD.); Polished SS finish (OPT.)

Gauge Size Inches	Ring O.D.	"A" DIA.	"B" Size of 3 Screws	"C" Size of Washers
4½	6 [152]	5.625 [148]	#10-24 x 1½	7/16 x 17/64 x 5/8



**1279 Duragauge<sup>®</sup> Pressure Gauge**
**TABLE 1 - OPTIONS**

CODE	OPTION
AB	Gauges calibrated to compensate for absolute pressure
DA	Dial marking (text marking on the dial)
EP	Maximum pointer (adjustable, N/A with liquid filled or hermetically sealed cases)
GV	Silicone case fill
GX	Halocarbon <sup>®</sup> case fill
HY	Hydrostatic/pneumatic testing (system pressurized to 150% of rated system pressure for 5 minutes. Overload stop STD.)
LL	<b>PLUS!</b> <sup>™</sup>
NG	Non-glare glass (N/A with liquid fill or hermetically sealed cases)
NH	SS tag wired to case
OS	Overload stop
PD	Acrylic window (STD. with liquid filled or hermetically sealed cases)
SH	Red set hand, stationary
SG	Safety glass
TS	Throttle screw (STD. with liquid filled, hermetically sealed or <b>PLUS!</b> <sup>™</sup> Performance)
VS	Underload stop
C4	Individual calibration chart (in accordance with ASME B40.100:2013. Accuracy traceable to NIST)
6B	Cleaned for oxygen service
56	Flush mounting ring