

■ GENERAL INFORMATION

- This specification document is for **gas-filled thermometers** manufactured by:

STIKO, Industrieweg 5, 9301 LM Roden, The Netherlands.

- STIKO® is a manufacturer of mechanical instruments in the area of temperature, pressure and calibration. We offer thermometers, pressure gauges, pressure and/or temperature recorders, as well as calibration equipment. We develop and manufacture all our instruments to ISO-9001-2008 standards.
- In order to construct your instrument please proceed as follows:

EXAMPLE 1

		PAGE:
1 Instrument type (head)	TXR100XA	5
2 Glycerine filling	X→L: TXR100LA	5
3 Temperature range	0 + 250°C	28
4 Bulb length and diameter	100x10 mm, AISI321	8
5 Connection	½"BSP, Type B, AISI304	8-11
6 Electrical device	--	33-39

EXAMPLE 2

		PAGE:
1 Instrument type (head)	TXC160XA	19
2 Temperature range	0 + 100°C	28
3 Capillary tube	1.500 mm, st.steel	24
4 Bulb length and diameter	150x10 mm, AISI321	25
5 Connection	½"BSP, Type CS3, AISI304	25-27
6 Electrical device	--	
7 Any options	drag pointer	32

- Abbreviations used in this document: O.D. = ON DEMAND; N.A. = NOT AVAILABLE
- Dimensions used in this document are in: millimeters (mm).
- Your order will be confirmed by e-mail.
- Other variations which are not mentioned in this document are on demand (if possible).

■ CERTIFICATION

- Certificates of Conformity to the company's published specifications are available on request for all STIKO® manufactured products according to EN 10204 2.2.
- Certificates of Calibration for all STIKO® manufactured products are also available. These certificates indicate deviations from standards traceable to R V A - D K D (Dutch - German National Standards). The results are recorded in a certificate which include calibration date, instrument serial number, type number and the R V A or D K D standard used.
- Material Certificates according to EN 10204 3.1 for all STIKO® manufactured products are also available. These certificates indicate specifications of the materials used.

■ WARRANTY AND REPAIR SERVICE

- An efficient repair and sparepart service is available at competitive rates for STIKO® products and products of other manufacturers. Instruments for repair should be sent carriage paid and labelled with the sender's name and address, together with a brief description of the work required. Within two days after receiving the instruments, you will get a full detailed offer for the repair job.
- **A warranty period of 24 months is applicable for all instruments sold as of january 1st, 2018**

CAPILLARY DIAL THERMOMETERS TYPE TXC

TYPE	DRAWING	DIMENSIONS mm																																															
A TXCxxxXA		<table border="1" style="margin-left: auto; margin-right: auto;"> <thead> <tr> <th rowspan="2">DIM.</th> <th colspan="5">CASE DIAMETER</th> </tr> <tr> <th>63</th> <th>80</th> <th>100</th> <th>160</th> <th>250</th> </tr> </thead> <tbody> <tr> <td>A</td> <td>65</td> <td>83</td> <td>101</td> <td>161</td> <td>252</td> </tr> <tr> <td>B</td> <td>38</td> <td>37</td> <td>45</td> <td>45</td> <td>55</td> </tr> <tr> <td>C</td> <td>13</td> <td>13</td> <td>13</td> <td>13</td> <td>13</td> </tr> </tbody> </table>	DIM.	CASE DIAMETER					63	80	100	160	250	A	65	83	101	161	252	B	38	37	45	45	55	C	13	13	13	13	13																		
DIM.	CASE DIAMETER																																																
	63	80	100	160	250																																												
A	65	83	101	161	252																																												
B	38	37	45	45	55																																												
C	13	13	13	13	13																																												
B TXCxxxXB		<table border="1" style="margin-left: auto; margin-right: auto;"> <thead> <tr> <th rowspan="2">DIM.</th> <th colspan="5">CASE DIAMETER</th> </tr> <tr> <th>63</th> <th>80</th> <th>100</th> <th>160</th> <th>250</th> </tr> </thead> <tbody> <tr> <td>A</td> <td>65</td> <td>83</td> <td>101</td> <td>161</td> <td>252</td> </tr> <tr> <td>B</td> <td>41</td> <td>40</td> <td>51</td> <td>51</td> <td>57</td> </tr> <tr> <td>C</td> <td>13</td> <td>13</td> <td>13</td> <td>13</td> <td>13</td> </tr> <tr> <td>D</td> <td>86</td> <td>110</td> <td>132</td> <td>196</td> <td>285</td> </tr> <tr> <td>H</td> <td>3.5</td> <td>4</td> <td>5.5</td> <td>6</td> <td>6</td> </tr> <tr> <td>P</td> <td>75</td> <td>95</td> <td>116</td> <td>178</td> <td>270</td> </tr> </tbody> </table>	DIM.	CASE DIAMETER					63	80	100	160	250	A	65	83	101	161	252	B	41	40	51	51	57	C	13	13	13	13	13	D	86	110	132	196	285	H	3.5	4	5.5	6	6	P	75	95	116	178	270
DIM.	CASE DIAMETER																																																
	63	80	100	160	250																																												
A	65	83	101	161	252																																												
B	41	40	51	51	57																																												
C	13	13	13	13	13																																												
D	86	110	132	196	285																																												
H	3.5	4	5.5	6	6																																												
P	75	95	116	178	270																																												
D TXCxxxXD		<table border="1" style="margin-left: auto; margin-right: auto;"> <thead> <tr> <th rowspan="2">DIM.</th> <th colspan="5">CASE DIAMETER</th> </tr> <tr> <th>63</th> <th>80</th> <th>100</th> <th>160</th> <th>250</th> </tr> </thead> <tbody> <tr> <td>A</td> <td>65</td> <td>83</td> <td>101</td> <td>161</td> <td>252</td> </tr> <tr> <td>B</td> <td>33</td> <td>29</td> <td>31</td> <td>32</td> <td>45</td> </tr> <tr> <td>C</td> <td>13</td> <td>13</td> <td>13</td> <td>13</td> <td>13</td> </tr> <tr> <td>D</td> <td>86</td> <td>110</td> <td>132</td> <td>196</td> <td>285</td> </tr> <tr> <td>H</td> <td>3.5</td> <td>4</td> <td>5.5</td> <td>6</td> <td>6</td> </tr> <tr> <td>P</td> <td>75</td> <td>95</td> <td>116</td> <td>178</td> <td>270</td> </tr> </tbody> </table>	DIM.	CASE DIAMETER					63	80	100	160	250	A	65	83	101	161	252	B	33	29	31	32	45	C	13	13	13	13	13	D	86	110	132	196	285	H	3.5	4	5.5	6	6	P	75	95	116	178	270
DIM.	CASE DIAMETER																																																
	63	80	100	160	250																																												
A	65	83	101	161	252																																												
B	33	29	31	32	45																																												
C	13	13	13	13	13																																												
D	86	110	132	196	285																																												
H	3.5	4	5.5	6	6																																												
P	75	95	116	178	270																																												
F TXCxxxXF		<table border="1" style="margin-left: auto; margin-right: auto;"> <thead> <tr> <th rowspan="2">DIM.</th> <th colspan="5">CASE DIAMETER</th> </tr> <tr> <th>63</th> <th>80</th> <th>100</th> <th>160</th> <th>250</th> </tr> </thead> <tbody> <tr> <td>A</td> <td>65</td> <td>83</td> <td>101</td> <td>161</td> <td>252</td> </tr> <tr> <td>B</td> <td>41</td> <td>40</td> <td>51</td> <td>51</td> <td>57</td> </tr> <tr> <td>D</td> <td>86</td> <td>110</td> <td>132</td> <td>196</td> <td>285</td> </tr> <tr> <td>H</td> <td>3.5</td> <td>4</td> <td>5.5</td> <td>6</td> <td>6</td> </tr> <tr> <td>P</td> <td>75</td> <td>95</td> <td>116</td> <td>178</td> <td>270</td> </tr> </tbody> </table>	DIM.	CASE DIAMETER					63	80	100	160	250	A	65	83	101	161	252	B	41	40	51	51	57	D	86	110	132	196	285	H	3.5	4	5.5	6	6	P	75	95	116	178	270						
DIM.	CASE DIAMETER																																																
	63	80	100	160	250																																												
A	65	83	101	161	252																																												
B	41	40	51	51	57																																												
D	86	110	132	196	285																																												
H	3.5	4	5.5	6	6																																												
P	75	95	116	178	270																																												
G TXCxxxXG		<table border="1" style="margin-left: auto; margin-right: auto;"> <thead> <tr> <th rowspan="2">DIM.</th> <th colspan="5">CASE DIAMETER</th> </tr> <tr> <th>63</th> <th>80</th> <th>100</th> <th>160</th> <th>250</th> </tr> </thead> <tbody> <tr> <td>A</td> <td>65</td> <td>83</td> <td>101</td> <td>161</td> <td>252</td> </tr> <tr> <td>B</td> <td>33</td> <td>29</td> <td>31</td> <td>32</td> <td>45</td> </tr> <tr> <td>D</td> <td>86</td> <td>110</td> <td>132</td> <td>196</td> <td>285</td> </tr> <tr> <td>H</td> <td>3.5</td> <td>4</td> <td>5.5</td> <td>6</td> <td>6</td> </tr> <tr> <td>P</td> <td>75</td> <td>95</td> <td>116</td> <td>178</td> <td>270</td> </tr> </tbody> </table>	DIM.	CASE DIAMETER					63	80	100	160	250	A	65	83	101	161	252	B	33	29	31	32	45	D	86	110	132	196	285	H	3.5	4	5.5	6	6	P	75	95	116	178	270						
DIM.	CASE DIAMETER																																																
	63	80	100	160	250																																												
A	65	83	101	161	252																																												
B	33	29	31	32	45																																												
D	86	110	132	196	285																																												
H	3.5	4	5.5	6	6																																												
P	75	95	116	178	270																																												

TYPE H AND I SEE PAGE 20

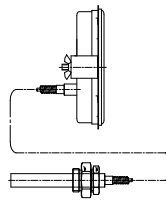
CAPILLARY DIAL THERMOMETERS

Type TXC, with stainless steel case according to EN 13190

STANDARD MODEL:

CASE	: bayonet lock, AISI304/1.4301, IP-65
CAPILLARY TUBE	: see page 22 (upto 100 meters)
STEM AND BULB	: AISI321/1.4541, see page 23-25
CONNECTION	: AISI304/1.4301, see page 23-25
WINDOW	: mineral glass 4 mm
DIAL	: aluminium, black figures on white
POINTER	: aluminium, black
RANGES	: from -200 upto +800°C, see page 26-28

EXAMPLE:

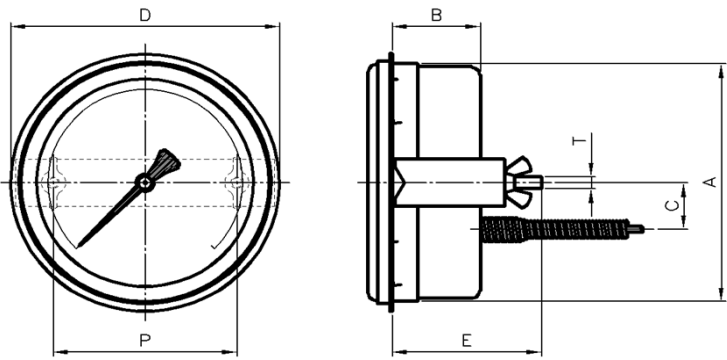
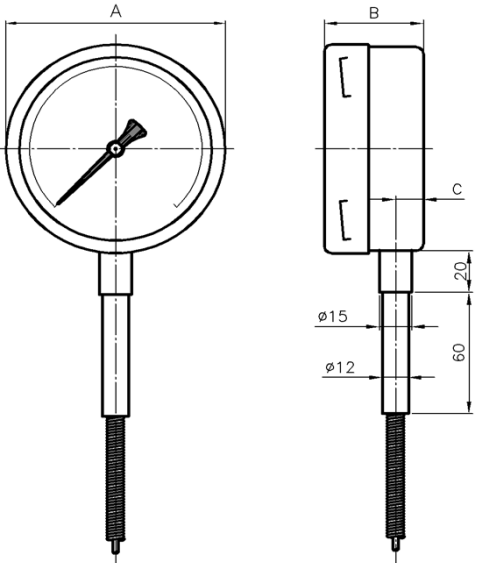


TXC160XH

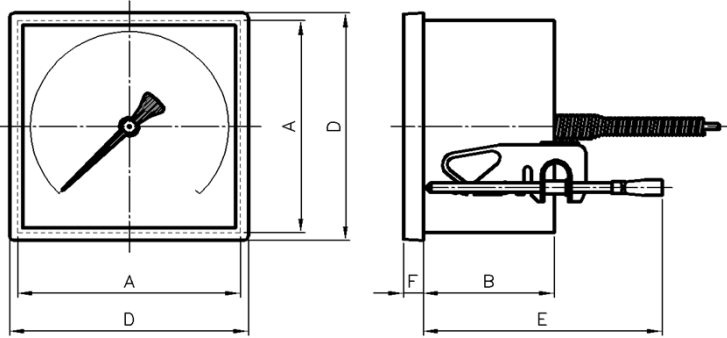
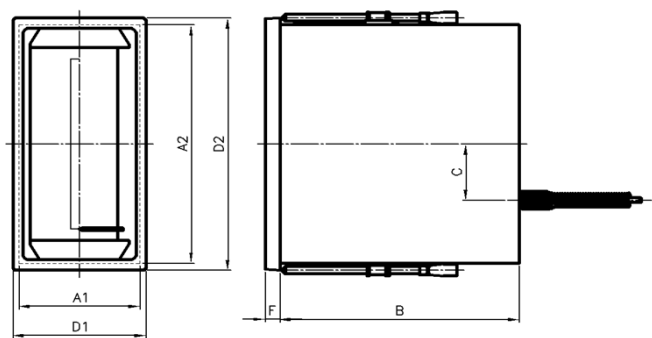
ADJUSTMENT	: +/- 6 % F.S. with adj. screw at the side
OVERLOAD	: up to 30% F.S. (but max. 800°C)
ACCURACY	: ±1% F.S. / class 1
MOVEMENT	: brass
OPTIONS	: see page 30
CONTACTS	: see page 31-34
PT-100	: see page 39
TRANSMITTER	: see page 39

TYPE	MODEL	CASE DIAMETER (Ø in mm)				
		63	80	100	160	250
A 1140		TXC063XA	TXC080XA	TXC100XA	TXC160XA	TXC250XA
B 1142		TXC063XB	TXC080XB	TXC100XB	TXC160XB	TXC250XB
D 1141		TXC063XD	TXC080XD	TXC100XD	TXC160XD	TXC250XD
F 1148		TXC063XF	TXC080XF	TXC100XF	TXC160XF	TXC250XF
G 1145		TXC063XG	TXC080XG	TXC100XG	TXC160XG	TXC250XG
H 1146		TXC063XH	TXC080XH	TXC100XH	TXC160XH	TXC250XH
I -		TXC063XI	TXC080XI	TXC100XI	TXC160XI	TXC250XI
OPTION (see also page 32)		EXTRA COSTS				
Lx	LIQUID FILLED CASE: GLYCERINE (in combination with electrical device: Ondina oil, see page 43)	TXC063Lx	TXC080Lx	TXC100Lx	TXC160Lx	TXC250Lx

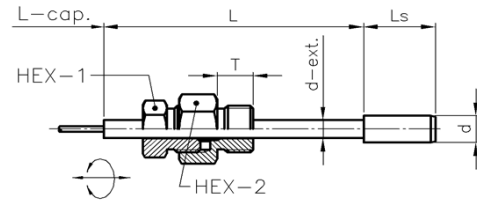
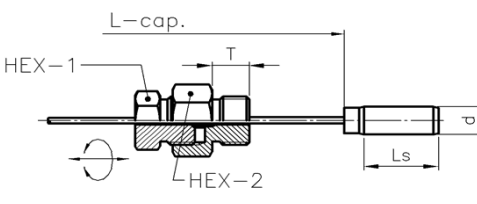
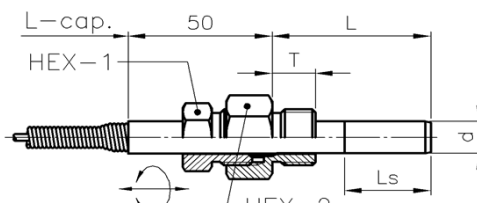
CAPILLARY DIAL THERMOMETERS TYPE TXC

TYPE	DRAWING	DIMENSIONS mm																																																					
H TXCxxxXH		<table border="1"> <thead> <tr> <th rowspan="2">DIM.</th> <th colspan="5">CASE DIAMETER</th> </tr> <tr> <th>63*</th> <th>80</th> <th>100</th> <th>160</th> <th>250+</th> </tr> </thead> <tbody> <tr> <td>A</td> <td>65</td> <td>83</td> <td>101</td> <td>161</td> <td>252</td> </tr> <tr> <td>B</td> <td>30</td> <td>35</td> <td>35</td> <td>25</td> <td>45</td> </tr> <tr> <td>C</td> <td>20**</td> <td>25</td> <td>20</td> <td>20</td> <td>0</td> </tr> <tr> <td>D</td> <td>70</td> <td>85</td> <td>112</td> <td>180</td> <td>270</td> </tr> <tr> <td>E</td> <td>50</td> <td>55</td> <td>60</td> <td>60</td> <td>70</td> </tr> <tr> <td>P</td> <td>33</td> <td>59</td> <td>75</td> <td>139</td> <td>+</td> </tr> <tr> <td>T</td> <td>M5</td> <td>M5</td> <td>M5</td> <td>M5</td> <td>M5</td> </tr> </tbody> </table> <p>* U-clamp vertical mounted ** 20 mm to the left (front view) + with 3 clamps under 120 degr.</p>	DIM.	CASE DIAMETER					63*	80	100	160	250+	A	65	83	101	161	252	B	30	35	35	25	45	C	20**	25	20	20	0	D	70	85	112	180	270	E	50	55	60	60	70	P	33	59	75	139	+	T	M5	M5	M5	M5	M5
		DIM.		CASE DIAMETER																																																			
63*	80		100	160	250+																																																		
A	65	83	101	161	252																																																		
B	30	35	35	25	45																																																		
C	20**	25	20	20	0																																																		
D	70	85	112	180	270																																																		
E	50	55	60	60	70																																																		
P	33	59	75	139	+																																																		
T	M5	M5	M5	M5	M5																																																		
I TxCxxxXI		<table border="1"> <thead> <tr> <th rowspan="2">DIM.</th> <th colspan="5">CASE DIAMETER</th> </tr> <tr> <th>63</th> <th>80</th> <th>100</th> <th>160</th> <th>250</th> </tr> </thead> <tbody> <tr> <td>A</td> <td>65</td> <td>83</td> <td>101</td> <td>161</td> <td>252</td> </tr> <tr> <td>B</td> <td>38</td> <td>37</td> <td>45</td> <td>45</td> <td>55</td> </tr> <tr> <td>C</td> <td>13</td> <td>13</td> <td>13</td> <td>13</td> <td>13</td> </tr> </tbody> </table>	DIM.	CASE DIAMETER					63	80	100	160	250	A	65	83	101	161	252	B	38	37	45	45	55	C	13	13	13	13	13																								
		DIM.		CASE DIAMETER																																																			
63	80		100	160	250																																																		
A	65	83	101	161	252																																																		
B	38	37	45	45	55																																																		
C	13	13	13	13	13																																																		

CAPILLARY DIAL THERMOMETERS TYPE TPC

S TPCxxxxxXS		<table border="1"> <thead> <tr> <th rowspan="2">DIM.</th> <th colspan="4">CASE DIAMETER</th> </tr> <tr> <th>72 x 72</th> <th>96 x 96</th> <th>144x 144</th> <th>192x192</th> </tr> </thead> <tbody> <tr> <td>A</td> <td>66</td> <td>90</td> <td>136</td> <td>183</td> </tr> <tr> <td>B</td> <td>53</td> <td>53</td> <td>53</td> <td>89</td> </tr> <tr> <td>D</td> <td>72</td> <td>96</td> <td>144</td> <td>195</td> </tr> <tr> <td>E</td> <td>95</td> <td>95</td> <td>95</td> <td>95</td> </tr> <tr> <td>F</td> <td>8</td> <td>8</td> <td>8</td> <td>8</td> </tr> </tbody> </table>	DIM.	CASE DIAMETER				72 x 72	96 x 96	144x 144	192x192	A	66	90	136	183	B	53	53	53	89	D	72	96	144	195	E	95	95	95	95	F	8	8	8	8
		DIM.		CASE DIAMETER																																
72 x 72	96 x 96		144x 144	192x192																																
A	66	90	136	183																																
B	53	53	53	89																																
D	72	96	144	195																																
E	95	95	95	95																																
F	8	8	8	8																																
V/H TPCxxxxxXV TPCxxxxxXH		<table border="1"> <thead> <tr> <th rowspan="2">DIM.</th> <th colspan="2">CASE DIAMETER</th> </tr> <tr> <th>144x72</th> <th>192x96</th> </tr> </thead> <tbody> <tr> <td>A1</td> <td>66</td> <td>91</td> </tr> <tr> <td>A2</td> <td>136</td> <td>184</td> </tr> <tr> <td>B</td> <td>130</td> <td>155</td> </tr> <tr> <td>C</td> <td>30</td> <td>30</td> </tr> <tr> <td>D1</td> <td>72</td> <td>96</td> </tr> <tr> <td>D2</td> <td>144</td> <td>192</td> </tr> <tr> <td>F</td> <td>8</td> <td>8</td> </tr> </tbody> </table>	DIM.	CASE DIAMETER		144x72	192x96	A1	66	91	A2	136	184	B	130	155	C	30	30	D1	72	96	D2	144	192	F	8	8								
		DIM.		CASE DIAMETER																																
144x72	192x96																																			
A1	66	91																																		
A2	136	184																																		
B	130	155																																		
C	30	30																																		
D1	72	96																																		
D2	144	192																																		
F	8	8																																		

CONNECTIONS FOR CAPILLARY MODELS TYPE TXC

TYPE	MODEL	DIMENSIONS				EXTRA COSTS	
		connection	HEX-1	HEX-2	T	d max	STAINLESS STEEL
							AISI304/1.4301
CS 1 <i>adjustable connection, sliding on extension tube</i>	 <p>THREAD BETWEEN HEX-1 and HEX-2: 1/2"BSP</p>	1/4"BSP	22	27	12	Ø 11	
		3/8"BSP	22	27	12	Ø 14	
		1/2"BSP	22	27	14	Ø 18	
		3/4"BSP	22	32	16	Ø 23	
		1"BSP	22	36	18	Ø 30	
		1/4"NPT	22	27	14	Ø 13	
		1/2"NPT	22	27	20	Ø 20	
		3/4"NPT	22	27	20	Ø 25	
		1"NPT	22	36	25	Ø 32	
		M18x1.5	22	27	12	Ø 16	
		M20x1.5	22	27	14	Ø 18	
		M24x1.5	22	27	14	Ø 22	
		CS 2 <i>adjustable connection, sliding on capillary</i>	 <p>THREAD BETWEEN HEX-1 and HEX-2: 1/2"BSP</p>	1/4"BSP	22	27	12
3/8"BSP	22			27	12	Ø 14	
1/2"BSP	22			27	14	Ø 18	
3/4"BSP	22			32	16	Ø 23	
1"BSP	22			36	18	Ø 30	
1/4"NPT	22			27	14	Ø 13	
1/2"NPT	22			27	20	Ø 20	
3/4"NPT	22			27	20	Ø 25	
1"NPT	22			36	25	Ø 32	
M18x1.5	22			27	12	Ø 16	
M20x1.5	22			27	14	Ø 18	
M24x1.5	22			27	14	Ø 22	
CS 3 <i>adjustable connection, sliding on stem</i>	 <p>THREAD BETWEEN HEX-1 and HEX-2: 1/2"BSP</p>			1/4"BSP	22	27	12
		3/8"BSP	22	27	12	Ø 11	
		1/2"BSP	22	27	14	Ø 15	
		3/4"BSP	22	32	16	Ø 20	
		1"BSP	22	36	18	Ø 20	
		1/4"NPT	22	27	14	Ø 8	
		1/2"NPT	22	27	20	Ø 15	
		3/4"NPT	22	27	20	Ø 20	
		1"NPT	22	36	25	Ø 20	
		M18x1.5	22	27	12	Ø 12	
		M20x1.5	22	27	14	Ø 14	
		M24x1.5	22	27	14	Ø 18	
		FOR CONNECTION TYPE CS3	1/2"BSP female				
3/4"BSP female							
1"BSP female							

All other connections, if technically possible, EUR 75,00 for quantities of < 10 pieces per connection, larger quantities on request

CONNECTIONS FOR CAPILLARY MODELS TYPE TXC

TYPE	MODEL	DIMENSIONS			EXTRA COSTS
		L	D-1	D-2	STAINLESS STEEL AISI321/1.4541
S surface bulb		-	-	-	
HA helical air bulb		-	-	-	

SANITARY CONNECTIONS FOR CAPILLARY MODELS TYPE TXC

TYPE	MODEL WITH POLISHED BULB	DIMENSIONS		EXTRA COSTS
		connection	T	STAINLESS STEEL AISI316/1.4401
CM acc. to DIN 11851		1" - DN25	rd 52 x 1/6	
		1 1/2" - DN40	rd 65 x 1/6	
		2" - DN50	rd 78 x 1/6	
		3" - DN80	rd 104 x 1/6	
TC TRI CLAMP acc. to ISO 2852		1"	Ø 50.5	
		1 1/2"	Ø 50.5	
		2"	Ø 64	
TV Varivent® In-Line		DN50	Ø 50	
		Suitable for In Line housing DN25		
		DN68	Ø 68	
		Suitable for In Line housing DN40 and up		

OPTIONS FOR BULB AND STEM

OPTION		EXTRA COSTS
		PER 100 MM
BULB AND STEM AISI316/1.4401	for diameter 6, 8, 9, 10, 12, 13, 14, 15, 16, 18	
BULB AND STEM POLISHED (MECHANICAL)	for all diameters	
BULB AND STEM PTFE® LINING (max.250°C)	MAXIMUM 1000 mm (longer: ON DEMAND)	first 100 mm: O D
BULB AND STEM HALAR® COATED (max.120°C)		per 100 mm extra: O D

TEMPERATURE RANGES for all types:

TEMPERATURE RANGES			EXTRA COSTS
(in °C)	SCALE DIVISION		CASE DIMENSIONS (in mm)
	cl. 1	option cl. 0.6	ALL CASE DIMENSIONS
-200 ...+50	5	2	
-120 ...+40	2	1	
-110 ...+50	5	1	
-100 ...+100	5	1	
-100 ...+50	5	1	
-80 ...+40	2	1	
-60 ...+40	2	0.5	
-60 ...+60	2	1	
-50 ...+50	2	0.5	
-50 ...+100	5	1	
-40 ...+20	1	0.5	
-40 ...+40	1	0.5	
-40 ...+60	2	0.5	
-40 ...+80	2	1	
-40 ...+110	5	1	
-40 ...+120	2	0.5	
-40 ...+160	5	1	
-30 ...+30	1	0.5	
-30 ...+50	1	0.5	
-30 ...+70	2	0.5	
-30 ...+170	5	1	
-20 ...+40	1	0.5	
-20 ...+60	1	0.5	
-20 ...+80	2	0.5	
-20 ...+100	2	1	
-20 ...+120	2	1	
-20 ...+180	5	1	
-15 ...+45	1	0.5	
-10 ...+15	0.5	0.2	x
-10 ...+30	1	0.2	
-10 ...+50	1	0.5	
-10 ...+110	2	1	
-10 ...+150	5	1	
0 ...+25	0.5	0.2	x
0 ...+40	1	0.2	
0 ...+60	1	0.5	
0 ...+80	1	0.5	
0 ...+100	2	0.5	
0 ...+120	2	1	
0 ...+160	5	1	
0 ...+200	5	1	•
0 ...+250	5	2	
0 ...+300	5	2	
0 ...+400	10	2	
0 ...+500	10	5	
0 ...+600	10	5	
0 ...+700	10	5	
0 ...+800	10	5	

x NOT AVAILABLE

• STANDARD / NO EXTRA PRICE

ALMOST EVERY RANGE IS POSSIBLE! PRICES ON REQUEST

TEMPERATURE RANGES for TXR-DIESEL:

TEMPERATURE RANGES				
(in °C)	SCALE DIVISION	CASE DIMENSIONS (in mm)		
	cl. 1	Ø 63	Ø 80	Ø 100
0 ...+600	10		•	
0 ...+650	10		•	
0 ...+700	10			
0 ...+750	10			
0 ...+800	10			
+50 ...+600	10		•	
+50 ...+650	10		•	
+50 ...+700	10			
+100 ...+600	10		•	
+100 ...+650	10		•	
+100 ...+700	10			

OPTIONS ON TEMPERATURE RANGES

OPTIONS	EXTRA COSTS											
RANGE IN °F or °K												
Standard ranges	•											
Non-standard ranges	•											
DUAL SCALE IN °C/F												
Standard ranges	•											
Non-standard ranges	O D											
OTHER OPTIONS												
Non-standard scale division												
ACCURACY												
±1% F.S. / class 1	•	•	•	•	•	•	•	•	•	•	•	•
±0.6 / 0.5% F.S. (class 0.6 or 0.5) (Without external adjustment)	x	x					x	x				
Mirrorscale (for anti-parallax)	x	x	x				x	x	x	x	x	x

x NOT AVAILABLE

• STANDARD / NO EXTRA PRI

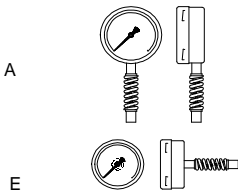
MARKING FOR TEMPERATURE GAUGES

OPTION	EXTRA PRICE
TAG number on dial	
TAG number on AISI304/1.4301 TAG plate 55x25 mm	
Lettering on dial	
Red mark on dial	

CERTIFICATES FOR TEMPERATURE GAUGES

TYPE OF CERTIFICATE	NET PRICES
Certificate of Conformity acc. to EN 10204 2.2.	
Calibration certificate (Traceable to international standards)	
Material certificate wetted parts acc. to EN 10204 3.1	
ATEX certification, including ATEX on the dial; only possible with STIKO logo. For gauges without contact: INSTRUMENTS WITH ATEX CERTIFICATION MUST ALSO HAVE SAFETY GLASS AND A BLOW - OUT	PER ORDER
ATEX certification, including ATEX on the dial; only possible with STIKO logo. For gauges with inductive contact: INSTRUMENTS WITH ATEX CERTIFICATION MUST ALSO HAVE SAFETY GLASS AND A BLOW - OUT	PER INSTRUMENT

OPTIONS FOR THERMOMETERS

OPTION		CASE DIAMETER (Ø in mm)				
		63	80	100	160	250
SILICONE OIL FILLING	AGAINST HEAVY VIBRATIONS					
CASE MATERIAL AISI316L/1.4404 <small>(i.o. AISI304/1.4301)</small>	CASE + BAYONETRING		N.A.		*	N.A.
	FRONT -OR BACKFLANGE	N.A.	N.A.		9,00*	N.A.
ANTI-VIBRATIONSRING <small>for model: TXR, Type A and E SEE ALSO TXR-DIESEL</small>	 <p>A</p> <p>E</p>					
+AVS		+AVS	+AVS	+AVS	+AVS	+AVS
PLEXIGLASS	PMMA					
SAFETY GLASS	REQUIRED FOR ATEX					
BLOW OUT						
DRAG POINTER <small>RESETABLE WITH KEY</small>	Single Drag Pointer					
	Double Drag Pointer	N.A.	N.A.			
DRAG POINTER <small>IN COMBINATION WITH CONTACT RESETABLE WITH KEY</small>	ONLY FOR "HZ" CONTACTS	N.A.	N.A.			N.A.
OVERLOAD RESISTANCE EXECUTION	OVERLOAD POSSIBLE UPTO 100% DEPENDING ON RANGE MAXIMUM +800°C	OD	OD	OD	OD	OD
STAINLESS STEEL MOVEMENT	AISI304/1.4301					
MICROMETER POINTER	ADJUSTABLE POINTER					

* 160mm SS316L cases not available with electrical contacts