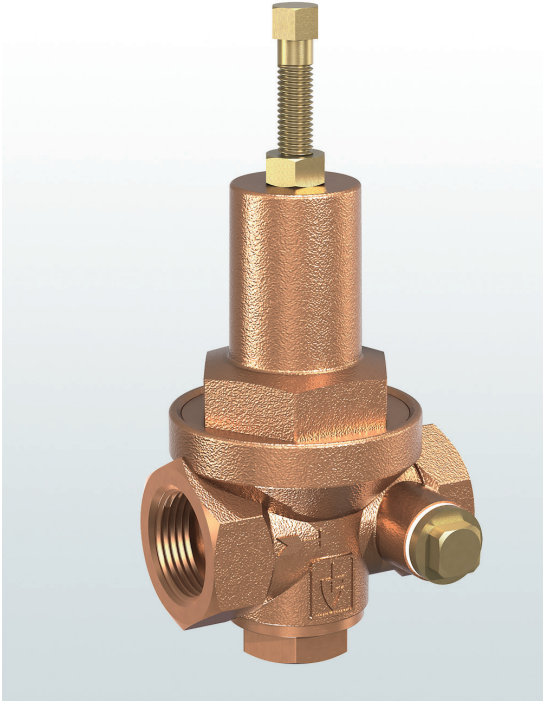


→ Series 683



■ SUITABLE FOR

Air, gases and vapours	neutral	
------------------------	---------	--

■ EXAMPLES OF USE

For the protection of:
- commercial and industrial plants
against too high supply pressure.
Pressure reducers are used, if within a piping system despite of varying pressures on the inlet side a certain pressure must not be exceeded on the outlet side.

- compressed air supply plants
- pneumatic control units
- pressure booster plants air-side
- shipbuilding industry and offshore plants



■ MATERIAL



■ SPECIFICATION



3/8" – 1 1/4"



– 10°C to + 95°C



Inlet pressure:
up to 50 bar
Outlet pressure:
1,5 to 10 bar
depending on version

■ APPROVALS

European Pressure Equipment Directive	
TR ZU 032/2013 - TR ZU 010/2011	
Requirements	
PED 2014/68/EU	
Classification society	
DNV Lloyd's Register EMEA American Bureau of Shipping Bureau Veritas Russian Maritime Register of Shipping	DNV LR EMEA ABS BV RMRS

■ MATERIALS

Component	Material	DIN EN	ASME
Inlet body	Gunmetal	CC499K	CC499K
Outlet body	Gunmetal	CC499K	CC499K
Internal parts	Brass	CW617N	CW617N
Spring	Spring steel	1.1200	ASTM A228

m	with diaphragm	High-quality, heat-resistant moulded elastomere, fabric-reinforced diaphragm. Pressure adjustment by means of spindle. Version completely made of metal. Balanced single seat valve, body with G 1/4" connection for pressure gauge on both sides.
----------	----------------	--

■ MEDIUM

G	gaseous	Compressed air and neutral gases
----------	---------	----------------------------------

■ TYPE OF LIFTING MECHANISM

0	without lifting device
----------	------------------------

■ OUTLET PRESSURE RANGES

SP	Standard version	Inlet pressure: up to 50 bar (size 1 1/4" up to 30 bar) Largest reduction ratio 10:1	Outlet pressure: from 1,5 to 10 bar
-----------	------------------	---	-------------------------------------

Fixed setting at a required outlet pressure against surcharge.

■ AVAILABLE NOMINAL DIAMETERS AND CONNECTION SIZES

Nominal diameter DN	10	15	20	25	32
Inlet female connection	3/8" (10)	1/2" (15)	3/4" (20)	1" (25)	1 1/4" (32)
Outlet female connection	3/8" (10)	1/2" (15)	3/4" (20)	1" (25)	1 1/4" (32)

■ TYPE OF CONNECTION INLET / OUTLET THREADED CONNECTIONS

f / f	Standard	Female thread BSP-P / Female thread BSP-P	DIN EN ISO 228-1 / DIN EN ISO 228-1
--------------	----------	---	-------------------------------------

■ SEALS

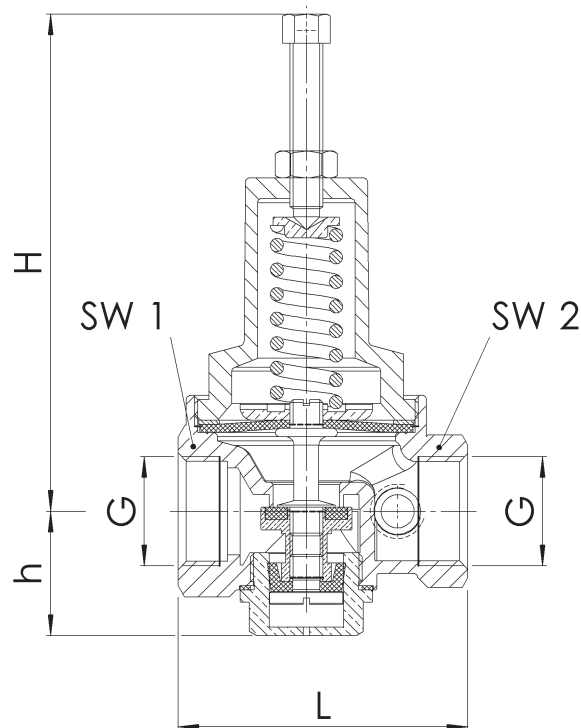
NBR	Nitrile rubber	Elastomere diaphragms and seals	-10°C to +95°C
------------	----------------	---------------------------------	----------------

■ NOMINAL DIAMETERS, CONNECTIONS, INSTALLATION DIMENSIONS

Series 683: Connection, installation dimensions, ranges of adjustment						
Nominal diameter	DN	10	15	20	25	32
Connection DIN EN ISO 228	G	3/8" (10)	1/2" (15)	3/4" (20)	1" (25)	1 1/4" (32)
Inlet pressure to	bar	50	50	50	50	30
Outlet pressure ¹	bar	1,5-10	1,5-10	1,5-10	1,5-10	1,5-10
Installation dimensions in mm	L	73	73	70	87	100
	H	100	100	120	165	175
	h	22	22	30	35	43
	SW1	27	27	36	44	54
	SW2	27	27	32	40	49
Weight	kg	0,5	0,5	0,8	1,4	2,0

¹Largest reduction ratio 10:1

■ MAIN DIMENSIONS, INSTALLATION DIMENSIONS



Series 683 ■ INDIVIDUAL SELECTION / VALVE CONFIGURATION

Series	Valve version	Medium	Lifting device	Outlet pressure	Nominal diameter DN	Connection type		Connection size		Seal	Options	Optional: fixed setting	Quantity
						Inlet	Outlet	Inlet	Outlet				
683	m	G	0	SP	20	f	f	20	20	NBR	S15		5
683	m	G	0	SP	32	f	f	32	32	NBR		4,0	1
683	m	G	0	SP		f	f			NBR			
683	m	G	0	SP		f	f			NBR			

■ OPTIONS

GOX	Especially for gaseous O2 applications by employment of specific materials including oil- and grease free production process	<input type="checkbox"/>	P03	Galvanically nickel-plated finish	<input type="checkbox"/>
P01	Oil- and grease-free production	<input type="checkbox"/>	FE	Setting and sealing	<input type="checkbox"/>
P02	Chemically nickel-plated finish	<input type="checkbox"/>			<input type="checkbox"/>

■ CERTIFICATES / APPROVALS

C01	Factory certificate acc. DIN EN 10204 2.2 (WKZ 2.2)	<input type="checkbox"/>	C05	Sealing material Manufacturer certification (FDA, USP 3, 3-A,...), Please indicate description of certificate:	<input type="checkbox"/>
C02	Test certificate acc. DIN EN 10204 3.1 (WPZ 3.1)	<input type="checkbox"/>	C06	ATEX evaluation acc. to 2014/34/EU	<input type="checkbox"/>
C03	Material test certificate acc. DIN EN 10204 3.1 (MPZ 3.1) (pressure retaining part)	<input type="checkbox"/>	C10	Certificate of oil- and grease free production	<input type="checkbox"/>
C04	TÜV/DEKRA individual inspection acc. EN 10204 3.2 (TÜV/DEKRA-APZ)	<input type="checkbox"/>			<input type="checkbox"/>

■ ADMISSIONS / ACCREDITATIONS

AA1	EC Type examination acc. to Directive 2014/68/EU	<input checked="" type="checkbox"/>	AK1	Type approval Det Norske Veritas (DNV)	<input type="checkbox"/>
AA4	EAC - certificate/declaration with passport for the valve and laser marking of the valve	<input type="checkbox"/>	AK2	Lloyd's Register (LR) type approval	<input type="checkbox"/>
		<input type="checkbox"/>	AK3	American Bureau of Shipping (ABS) type approval	<input type="checkbox"/>
		<input type="checkbox"/>	AK4	Bureau Veritas (BV) type approval	<input type="checkbox"/>
		<input type="checkbox"/>	AK5	Russian Maritime Register of Shipping (RMRS) type approval	<input type="checkbox"/>
		<input type="checkbox"/>	AK6	Registro Italiano Navale (RINA) type approval	<input type="checkbox"/>
		<input type="checkbox"/>	AL	Individual inspection by notified body inspector – (body to be indicated):	<input type="checkbox"/>

■ ENQUIRY

Copy and send to: order@goetze-armaturen.de.

Order form easily to be found online under the section for each series.

Determination of the size and capacity

