



BREATHING AIR VALVES AND OTHER APP. WITH INTEGRATED MANOMETER - C311

Industrial gas valves > Breathing air valves



High pressure brass cylinder valve for Breathing Air service

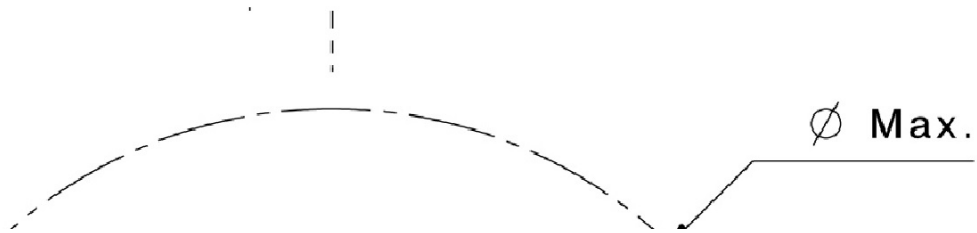
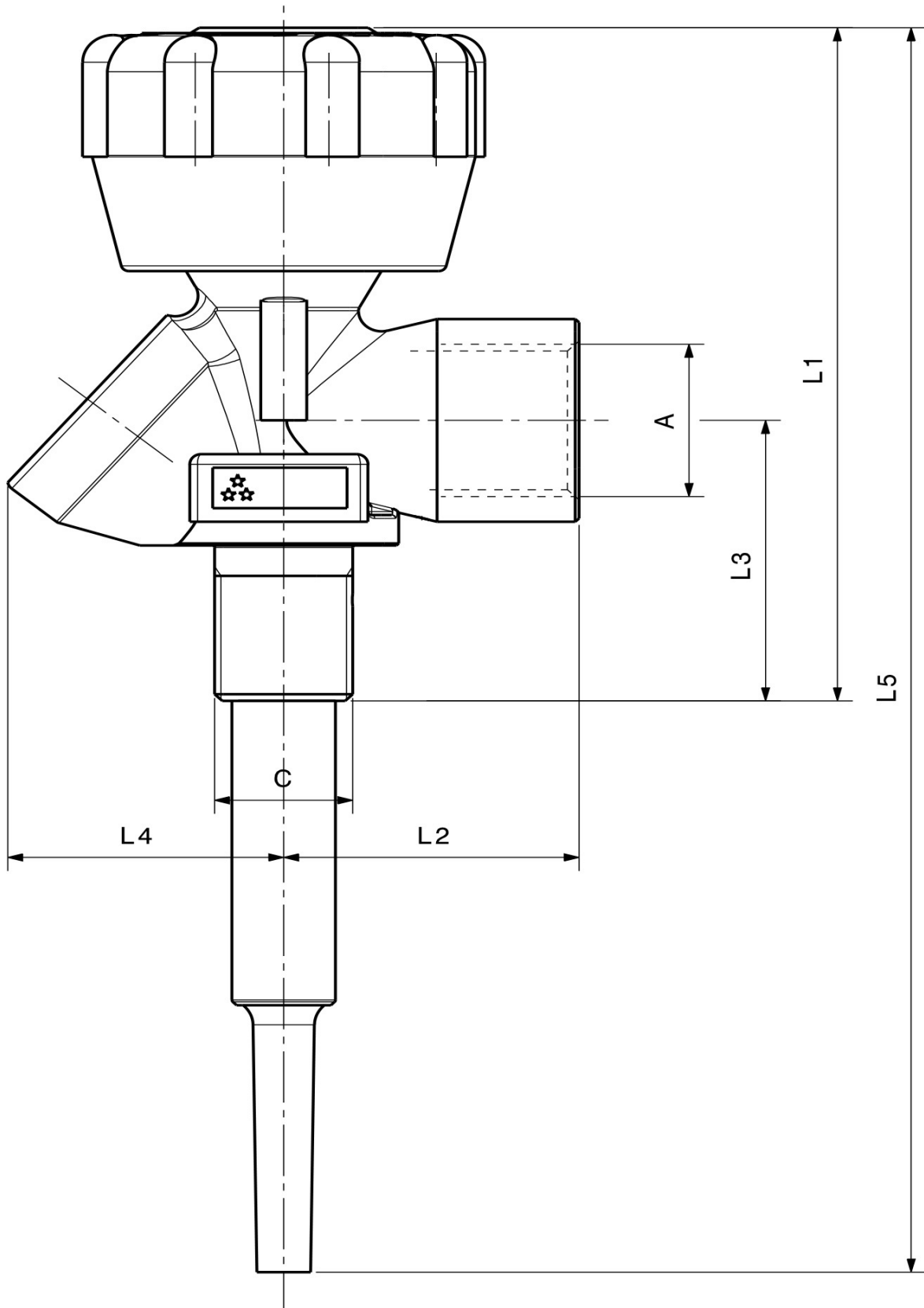
Key advantages

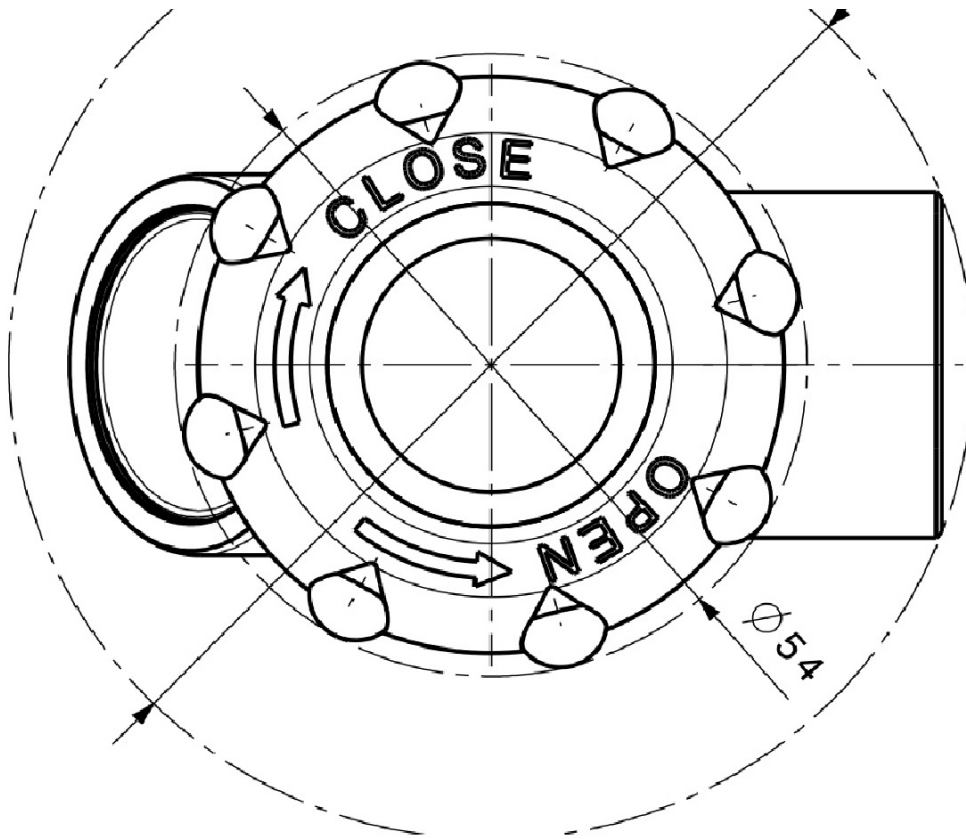
- High pressure brass cylinder valve for Breathing Air service
- Permanent gas tight seal
- Choc resistant
- Integrated manometer
- π marking according TPED directive
- Tested according EN ISO 10297

Specifications

Working pressure pmax.	200 bar, 300 bar
Gas type	Breathing AIR
Seat orifice size	3,5 Mm
Helium leak rate at pmax.	internal 10-3 mbarl/sec external 10-3 mbarl/sec
material	hand: wheel aluminium, seat: PA 6.6, O-rings: EPDM, body: brass
In- and outlet connections	in accordance with all country standards
Cv	0,3
Temperature range	-20 to +65 °c

Dimensional drawings





Product Configurator

	Working pressure	Safety	Safety set up	Body material	Actuation	Inlet	Outlet	Dip tube	Gauges	Gas
C3	1	1	0	L	A	18P	111	0	0	BA
	300 ▼	Witr ▼	Witr ▼	Braç ▼	Han ▼	M 1: ▼	EN ▼	Witr ▼	Witr ▼	Breç ▼

Downloadable catalogs, brochures



Industrial cylinder valves

Last update: Jul 20, 2021

Available in: **EN**



INDUSTRIAL CYLINDER VALVES

Related Products



C300/C301/C302