

Model CA Variable Orifice Angle Valve



Taylor Valve Technology

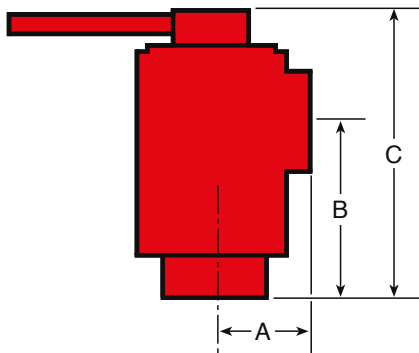
Taylor's CA Variable Orifice Valve provides a very simple, economical solution for flow applications with high pressure drops. The variable orifice design affords precision control of flow rates or pressures and adapts to 1/4 turn actuators.

Seven trim sizes with ceramic as the standard material and tungsten carbide as an option, give CA the versatility required to accommodate a variety of flow conditions.

Taylor Valve Technology continues to be dedicated to high quality and innovative engineering approaches that satisfy our customer's technical needs.

Weight: 7.4 lbs.

Orifice Size	Equivalent Flow Areas (in ²)	Cv
(2) 1/8" Holes	.024	.7
(2) 3/16" Holes	.055	1.6
(2) 1/4" Holes	.098	2.8
(2) 3/8" Holes	.220	6.3
(2) 1/2" Holes	.392	11.2
(2) 5/8" Pie Holes	.480	16.57
(2) 3/4" Pie Holes	.738	23.86



Connections	A	B	C
1"	2.0"	3.50"	6.0"



APPLICATIONS

The Taylor CA is designed to control pressure or flow in liquid and gas applications.

FEATURES

- Compact, Light-Weight Design
- 316 Stainless Steel Construction
- Ceramic Trim is Standard with Optional Tungsten Carbide Available
- Easy Operation - 1/4 Turn Full Range
- 2000 PSI Maximum Working Pressure
- 1" End Connections
- ANSI Class IV Shutoff

Taylor Valve Technology

8300 S.W. 8th Street

Oklahoma City, Oklahoma 73128

TEL 405.787.0145

FAX 800.805.3401

WEB taylorvalve.com

INFO info@taylorvalve.com

NOTE: Taylor Valve reserves the right to change product designs and specifications without notice.

1" Model CI Variable Orifice Inline Valve



Taylor Valve Technology

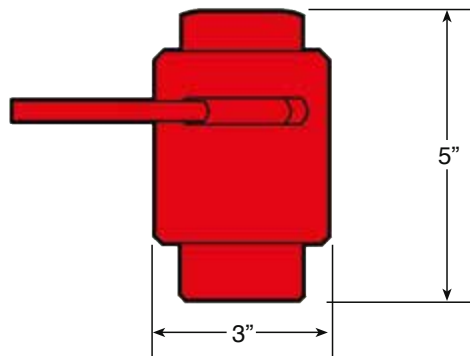
Taylor's 1" CI Variable Orifice Inline Valve provides a very simple, economical solution for flow applications with high pressure drops. The variable orifice design affords precision control of flow rates or pressures and adapts to 1/4 turn actuators.

Seven trim sizes with ceramic as the standard material and tungsten carbide as an option, give the 1" CI the versatility required to accommodate a variety of flow conditions.

Taylor Valve Technology continues to be dedicated to high quality and innovative engineering approaches that satisfy our customer's technical needs.

Weight: 7.4 lbs.

Orifice Size	Equivalent Flow Areas (in ²)	Cv
(2) 1/8" Holes	.024	.7
(2) 3/16" Holes	.055	1.6
(2) 1/4" Holes	.098	2.8
(2) 3/8" Holes	.220	6.3
(2) 1/2" Holes	.392	11.2
(2) 5/8" Pie Holes	.480	16.57
(2) 3/4" Pie Holes	.738	23.86



APPLICATIONS

The Taylor 1" CI is designed to control pressure or flow in liquid and gas applications.

FEATURES

- Compact, Light-Weight Design
- 316 Stainless Steel Construction
- Ceramic Trim is Standard with Optional Tungsten Carbide Available
- Easy Operation - 1/4 Turn Full Range
- 2000 PSI Maximum Working Pressure
- 1" FNPT End Connections
- ANSI Class IV Shutoff

Taylor Valve Technology

8300 S.W. 8th Street

Oklahoma City, Oklahoma 73128

TEL 405.787.0145

FAX 800.805.3401

WEB taylorvalve.com

INFO info@taylorvalve.com

NOTE: Taylor Valve reserves the right to change product designs and specifications without notice.