

SMALL CONE RPV VALVES WITH INTEGRATED MANOMETER - C878/C879

Industrial gas valves > Small cone valves



The C878/C879 is a small cone brass cylinder valve for oxygen and oxygen mixtures and for small sized cylinders. It is equipped with an integrated pressure gauge and a residual pressure device in order to avoid ingress of humidity in the cylinder.

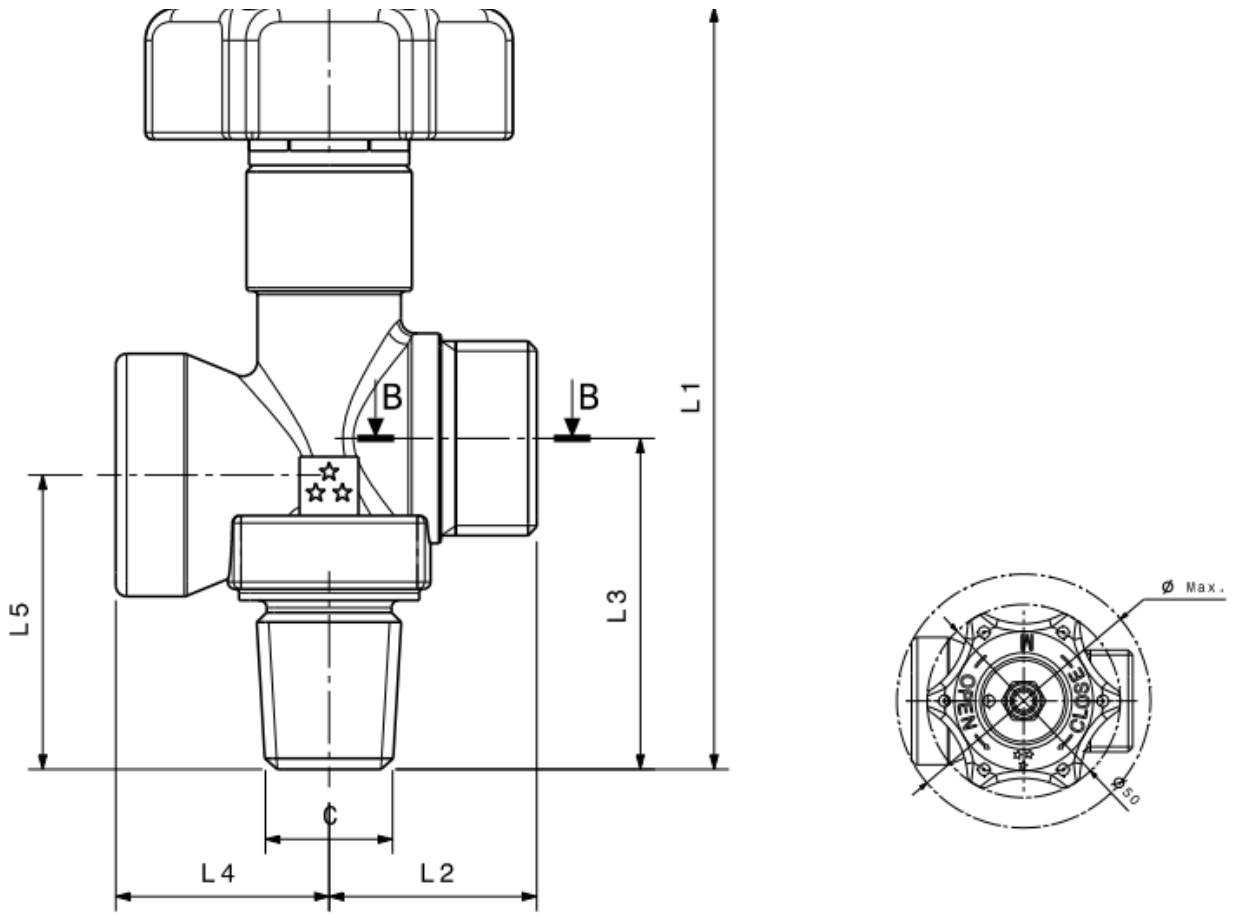
Key advantages

- Compact high pressure brass cylinder valve for oxygen and oxygen mixtures (>20% O₂) service and for small sized cylinders
- Specific filling adaptor required
- Residual pressure valve inline execution
- Permanent gas tight seal
- π marking according TPED directive
- Tested according EN ISO 10297 and ISO15996 standards
- Adiabatic compression tested to avoid oxygen ignitions
- Compatible with medical oxygen

Specifications

Working pressure pmax.	200 bar
Gas type	O ₂ , N ₂ O
Seat orifice size	2,5 Mm
Helium leak rate at pmax.	internal 10 ⁻³ mbarl/sec external 10 ⁻³ mbarl/sec
material	hand: wheel aluminium, seat: PA 6.6, O-rings: EPDM, body: brass
In- and outlet connections	in accordance with all country standards (details p.70)
Cv	0,2
Safety	C878 : No C879 : Yes
Temperature range	-20 to +65 °c


Dimensional drawings



Product Configurator

Safety	Gas type	Safety set up	Body material	Actuation	Inlet	Outlet	Pin length	Reference point	Dip tube	Gas	
C8	7	8	0	L	A	17E	9	7	F	0	02
Witt ▼	O2 ▼	Witt ▼	Bra: ▼	Han ▼	17E ▼	DIN ▼	7 ▼	Fror ▼	Witt ▼	O2 ▼	

[Downloadable catalogs, brochures](#)




ROTAREX
VALVES - FITTINGS - REGULATORS

Industrial cylinder valves

Last update: Jul 20, 2021

Available in: **EN**

INDUSTRIAL CYLINDER VALVES



ROTAREX
MEDTEC

Medical Cylinder Valves and Pressure regulators

Last update: Jan 24, 2022

Available in: **EN**

MOBILE MEDICAL VALVE SOLUTIONS

Related Products



C972/C973



C511/C516



C978



C974/C975



C521/C526



C979/C980



C560



C508



C969