

VALVE WITH INTEGRATED PRESSURE REGULATOR - BALLOON VALVES - C817/C818

Industrial gas valves > Integrated valves



The C817/C818 are helium balloon valves for 200 or 300 Bar cylinders. The VIPR (valve with integrated pressure regulator) all-in-one solution combines space saving, transportability, safety and faster latex or foil balloons inflation.

Key advantages

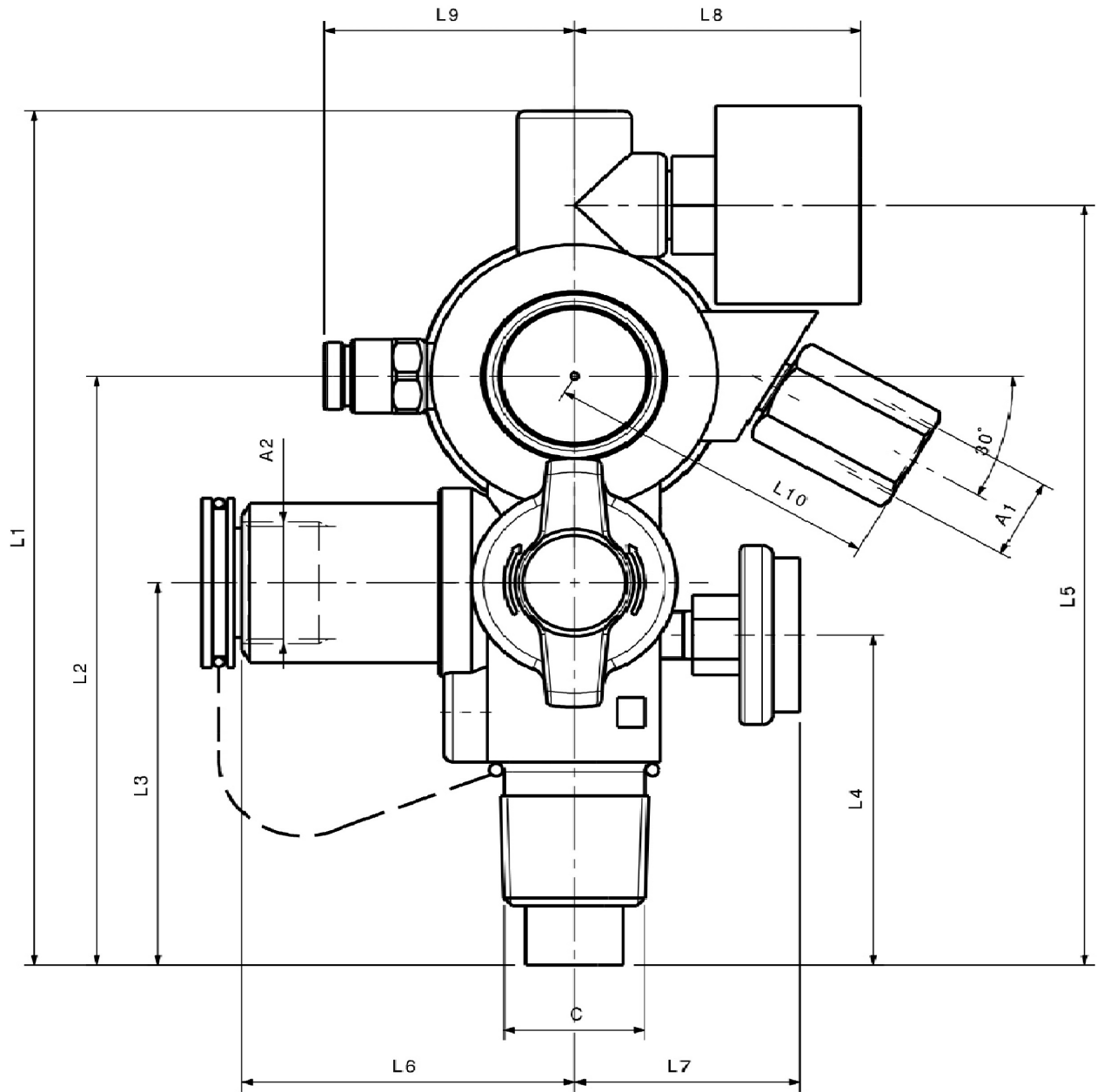
- Brass valve with integrated pressure regulator for Helium service
- Separated filling port
- Specific outlet nozzle
- If non-return valve on filling part, specific filling adaptor recommended
- Fixed outlet pressure and flow

- Permanent gas tight seal
- π marking according TPED directive
- Tested according EN ISO 10297 and CGA V9 standards

Specifications

Working pressure pmax.	300 bar
Gas type	He
Helium leak rate at pmax.	internal 10 ⁻³ mbarl/sec external 10 ⁻³ mbarl/sec
material	hand: wheel aluminium, seat: PA 6.6, O-rings: EPDM, body: brass
In- and outlet connections	in accordance with all country standards
Flow	100-110l/mn
Temperature range	-20 to +65 °c


Dimensional drawings




Product Configurator

	Working pressure	Pressure regulator	Safety set up	Body material	Actuation	Inlet	Outlet	Max flow range	Dip tube	Gauges	Guards	Gas
C81	8	PR	3-5	L	OC	25E	239	100	0	0	-	HE
	200 ▾	Pre: ▾	Pre: ▾	Bra: ▾	Ope ▾	25E ▾	ISO ▾	100 ▾	Witr ▾	Witr ▾	Witr ▾	He ▾


Downloadable catalogs, brochures

 **Industrial cylinder valves**
Last update: Jul 20, 2021


Available in: [EN](#)



INDUSTRIAL CYLINDER VALVES

 **Balloon Valve**
Last update: May 17, 2021

Available in: [EN](#)



BALLOON VALVE

Related Products



C805/C806/C807