

Flow Measurement

SITRANS FS (ultrasonic)

Clamp-on ultrasonic flowmeters

SITRANS FS230 ultrasonic flowmeter

Overview



SITRANS FST030 with FSS200 and external DSL

SITRANS FS clamp-on ultrasonic flowmeters provide highly accurate measurement while minimizing installation time and maintenance expense.

Benefits

- Easy installation; no need to cut pipe or stop flow
- Minimal maintenance; external sensors do not require periodic cleaning
- No moving parts to foul or wear
- No pressure drop or energy loss
- Wide turn-down ratio
- Single or dual path with internal DSL, up to four paths with external DSL option

System performance

Approvals	<ul style="list-style-type: none"> • ATEX Zone 2 (Sensors: Zone 0, 1, 2) • IIECEX Zone 2 (Sensors: Zone 0, 1, 2) • FM/FMc Class I Div. 2 (Sensors: Class I Div. 1)
Accuracy	± 0.5 ... 1 % for velocities above 0.3 m/s and >10 diameters straight run
Repeatability	± 0.25 % (based on ISO 11631)
Pipe size range	12.7 ... 10 m (0.5 ... 394")
Wall Thickness Range	0.64 ... 76.2 mm (0.025 ... 3.0")
Pipe material	Any sonically conductive material (steel, plastic, aluminum, glass, cement, ductile iron, copper)
Optional External DSL	Zone 0, 1, 2, Class 1 Div. 1 with transmitter in Zone 2 Class 1 Div 2 area

Optional External DSL

The optional external DSL allows for additional flexibility in application configurations. The External DSL benefits include:

- Measurement of 1-4 paths
- 2 x additional analog inputs, RTD or current
- Up to 150 m cable from DSL to transmitter (connection from zone 0,1 area to zone 2 area)

Applications

SITRANS FS230 standard functions are suitable for a wide variety of liquid applications, including the following:

- Water industry
 - Raw water
 - Potable water
 - Chemicals
- Wastewater industry
 - Raw sewage
 - Effluent
 - Sludges
 - Mixed liquor
 - Chemicals
- HVAC industry
 - Condensers
 - Hot and cold water systems
- Power industry
 - Nuclear
 - Fossil
 - Hydroelectric
- Processing industry
 - Process control
 - Batching
 - Rate indication
 - Volumetric and mass measurement

SITRANS FS230 hydrocarbon functions are ideal for applications carrying crude oil, refined petroleum or liquefied gas.

Standard volume (high end system)

- Standard (net) volume flow measurement
- Suitable for use in leak detection systems
- Mass flow output measurement
- Chemical and petrochemical processing
- Precise identification of interfaces on multi-liquid pipelines
- Product identification
- Standard density indication
- Applications with multiple liquids having a wide viscosity range
- Automatic gross volume compensation due to viscosity

SITRANS FS230 is ideal for most natural and process gas industry applications, including:

- Checkmetering
- Allocation
- Flow survey verification
- Lost and unaccounted for (LAUF) gas analysis
- Production
- Storage

The FS230 can be supplied with an external DSL option that allows for up to four paths with two additional analog inputs. The External DSL enclosure can be installed in a Zone 1 or Div 1 area near the sensors and measurement pipe using short sensor cables, with communication cable to transmitter up to 150 meters away.

Overview (continued)**System information and selection guide**

SITRANS FS clamp-on flowmeters	FS230 (Standard)	FS230 (Hydrocarbon)	FS230 (Gas)
Industry/Applications			
Water and aqueous solutions	X		
Utility district heating, cooling	X		
Chemical	X		
Hydrocarbons/petrochemical, multiple products or varying viscosity, liquefied gases, net and gross volume		X	
Hydrocarbons (single product with limited viscosity range) gross volume	X	X	
Very low flow (< 0.1 m/s) in small pipes	X		
High temperature applications < 232 °C (450 °F)	X	X	
Refrigeration liquids	X		
Food products	X		
Natural gas			X
Other gases i.e. propane, oxygen, argon etc.			X
Design			
Field clamp-on (non-intrusive)	X	X	X
Standard volume or mass flow; per API MPMS chapter 11.1		X	X
Interface detection		X	X
Standard density output		X	X
Temperature measurement	X	X	X
Analog input	X	X	X
Large graphical display	X	X	X
Configuration and diagnostic software PDM compatible	X	X	X
Number of acoustic paths and channels			
1-path	X	X	X
2-path	X	X	X
3-path (with external DSL)	X	X	X
4-path (with external DSL)	X	X	X
Size			
12.7 ... 10 000 mm (0.5" ... 394")	X		
38 ... 10 000 mm (1.5" ... 394")		X	
38 ... 1 200 mm (1.5" ... 48")			X
Approvals			
FM/FMc ¹⁾	X	X	X
ATEX	X	X	X
IECEX	X	X	X

¹⁾ Nema 4X associated equipment in DIV 2 connected to DIV 1 sensors and DIV 1 external DSL.

Flow Measurement

SITRANS FS (ultrasonic)

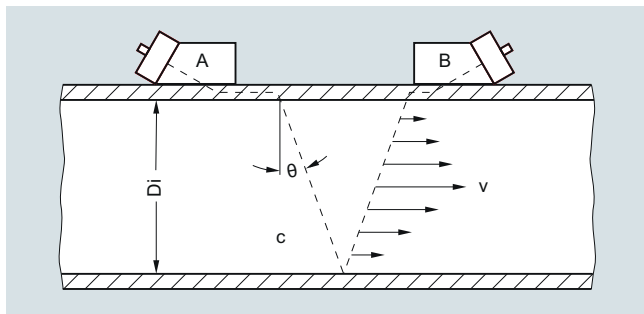
Clamp-on ultrasonic flowmeters

SITRANS FSS200 ultrasonic flow sensor

Function

Operating Principle

The SITRANS FS system is a transit-time ultrasonic meter that provides exceptional performance using a non-intrusive clamp-on approach. Ultrasonic sensors transmit and receive acoustic signals directly through the existing pipe wall, where the fluid refraction angle is governed by Snell's law of refraction.



Clamp-on sensor mounted in a reflect configuration

The beam refraction angle is calculated as follows:

$$\sin \theta = c / V_{\phi}$$

c = Velocity of sound in fluid

V_{ϕ} = Phase velocity (a constant in the pipe wall)

The flowmeter automatically compensates for any change in fluid sound velocity (or beam angle) in response to variations in the average transit time between sensors A and B. By subtracting the computed fixed times (within the sensors and pipe wall) from the measured average transit time, the meter can then infer the required transit time in the fluid (T_{Fluid}).

The sound waves traveling in the same direction as the flow ($T_{A,B}$) arrive earlier than sound waves traveling against the direction of flow ($T_{B,A}$). This time difference (Δt) is used to compute the line integrated flow velocity (v) as shown in the equation below:

$$v = V_{\phi} / 2 \cdot \Delta t / T_{\text{Fluid}}$$

Once the raw flow velocity is determined, the fluid Reynolds Number (Re) must be determined to properly correct for fully developed flow profile. This requires the entry of the fluid's kinematic viscosity (visc) as shown in the equations below, where Q represents the final flow profile compensated volumetric flow rate.

$$Re = Di \cdot v / \text{visc} \cdot Q = K(Re) \cdot (\pi / 4 \cdot Di^2) \cdot v$$

v = Flow velocity

$\text{visc} = \mu / \rho$ = (dynamic viscosity / density)

$K(Re)$ = Reynolds flow profile compensation

In wetted type ultrasonic flowmeters the meter constants are configured prior to leaving the factory. As this is not possible with clamp-on meters, the settings must be made by the customer at the time of installation. These settings include pipe diameter, wall thickness, liquid viscosity, etc.

SITRANS clamp-on flowmeters that include temperature sensing can be configured to dynamically infer changes in fluid viscosity for the purpose of computing the most accurate flow profile compensation (K_{Re}).

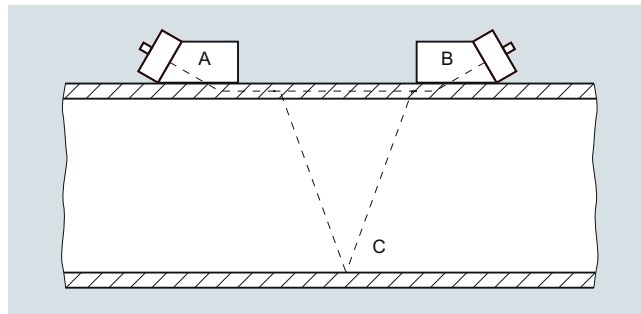
Ultrasonic sensor types

Two basic types of clamp-on sensors can be selected for use with the SITRANS FS flowmeter. The lower cost "universal" sensor is the most common type in the industry and is suitable for most single liquid applications where the sound velocity does not vary much. This sensor type can be used on any sonically conductive pipe material (including steel) making it well suited for portable survey applications. Universal sensors are selected

based on the pipe diameter range alone, so wall thickness is less important to the selection process.

The second sensor type is the "WideBeam" sensor (called high precision), which utilizes the pipe wall as a kind of waveguide to optimize the signal to noise ratio and provide a wider area of vibration. This makes this kind of sensor less sensitive to any change in the fluid medium.

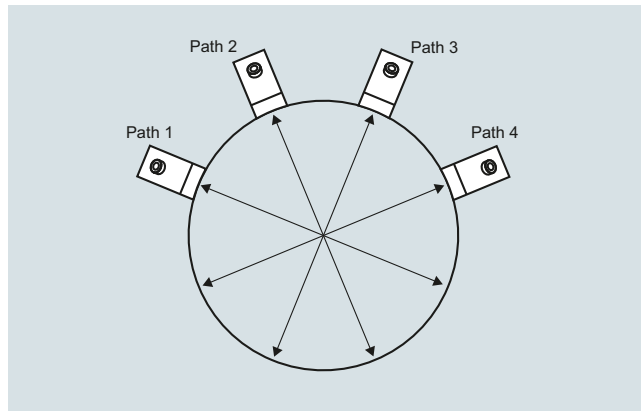
The WideBeam sensor is designed for steel pipes, but can also be used with aluminum and titanium. It is the preferred sensor for HPI applications. Note that unlike the universal type, this sensor selection is dependent only on the pipe's wall thickness.



Multi-path flowmeters

For improved flow profile averaging, redundancy or better cost per measurement, clamp-on meters can be supplied with 1, 2, 3 or 4 path measurement systems.

In the standard FS230 systems, these can be installed on a single pipe as shown below (four paths on same pipe).



Four path installation example

Function (continued)

SITRANS meter family description

SITRANS FS230 clamp-on flowmeters

The FS230 system is a basic function, permanent (or dedicated) Clamp-on meter that is available with a full range of safety approvals and I/Os. This meter can be used in a wide range of applications.

FST030 transmitter standard flow functions

When configured with standard flow functions, the FST030 transmitter is typically programmed with a fixed viscosity and specific gravity entry, which can limit the mass flow and volumetric flow accuracy when highly variable (multi-product) liquid properties flow through the same pipeline.

It will have the ability to accommodate clamp-on RTDs, or analog input from a temperature transmitter.

FST030 hydrocarbon flow functions

When configured with hydrocarbon functions, the FST030 can be used for applications that will flow a wide range of viscosity with a standard volume (mass) and interface detection functions available. All functions rely on a variable referred to as "Liquident (TM)", which is used to infer the liquid's viscosity and density. This variable represents the measured liquid sonic velocity compensated by the operating temperature and pressure, so for a given liquid product the measured Liquident (TM) output will remain constant over a wide range of pressure or temperature.

Standard volume description:

This Liquident (TM) variable can also be used to identify the liquid flowing through the pipe as well as its physical properties (density, viscosity and compressibility) at base conditions. With this information the meter can be configured to output a temperature and pressure compensated (standard) volume flow rate using the API MPMS chapter 11.2.1 methods as shown below.

Correction for temperature:

Compute thermal expansion coefficient (α_b):

$$\alpha_b = KO / \rho_b^2 + K1 / \rho_b$$

where: KO and K1 are constants dependent on type of liquid and ρ_b is the liquid density at base conditions

Compute temperature correction factor (K_T):

$$K_T = \rho_b * \text{EXP}(-\alpha_b \Delta T (1 + 0.8 \alpha_b \Delta T))$$

where: $\Delta T = (T - \text{base temperature})$

Correction for pressure:

Compute compressibility factor (F):

$$F = \text{EXP}(A + B T + (C + D T) / \rho_b^2)$$

where: A, B, C and D are constants, and "T" is liquid temperature

Compute pressure correction factor (K_p):

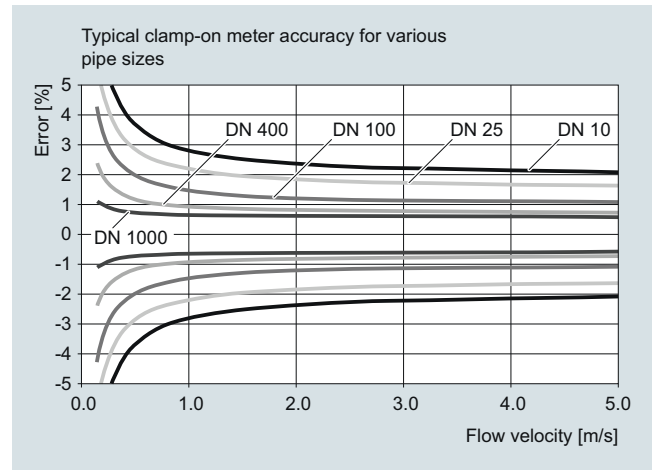
$$K_p = 1 / (1 - F (P_{\text{act}} - P_{\text{base}}) * 10^{-4})$$

Final volume correction: $Q_{\text{std}} = Q_{\text{act}} * K_t * K_p$

Available outputs from this meter include: API, standard density, mass flowrate, standard volume flowrate and liquid identification.

General installation guidelines for transit time clamp-on sensor

- Minimum measuring range: 0 to ± 0.3 m/s velocity (see meter accuracy graph below for more detail)
- Maximum measuring range: 0 to ± 12 m/s (± 30 m/s for high precision sensors). Final flow range determination requires application review



- Pipe must be completely full within the sensor installation volume for accurate flow measurement
- Typical MINIMUM straight pipe requirements are: 10 Diameters upstream/5 Diameters downstream. Additional straight run is required for double out-of-plane elbows and partially open valves.
- Sensors should be installed at least 20° off vertical for horizontal pipes. This reduces the chance of beam interference from gas buildup at the top of the pipe
- Operation inside the Reynolds transition region, between $1000 < Re < 5000$ should be avoided for best accuracy
- Submersible and direct burial installations can be accommodated. Consult sales representative for details
- Ultrasonic coupling compound is provided with all sensor orders. Insure that a permanent coupling compound is used for long term installations
- Refer to the "Sensor type selection guide" to insure proper application of the equipment

Flow Measurement

SITRANS FS (ultrasonic)

Clamp-on ultrasonic flowmeters

SITRANS FSS200 ultrasonic flow sensor

Function (continued)

Sensor type selection guide



Considerations for sensor selection	Standard sensor supported in MLFB		Notes
	High precision	Universal	
Media			
General survey (clean liquids) on non-steel pipes		X	
General survey (clean liquids) on a limited range of steel pipes	X		
Moderately aerated liquid or slurry, up to 121 °C (250 °F)	X		
Permanent installation on steel pipe (clean liquids and gases)	X		
Installation in offshore or corrosive environment	X ¹⁾	X ²⁾	Sensor size C/D/E come standard as corrosion resistant. Size A and B optional stainless steel
Liquid temperature greater than 120 °C (248 °F)	O	X	FSS200 high temperature metal block sensors (up to 232 °C (450 °F))
Operation on single pipeline flowing multiple products	X	O	
Pipe material			
Steel	X		
Steel pipe with diameter/wall thickness ratio <10	O	X	
Non-steel pipe material (copper, ductile iron, cast iron, etc.)	O	X	High precision sensors can also be used on plastic and aluminum pipes in special cases
Wall thickness > 31.75 mm (1.25")	O	X	

O = not suitable X = preferred choice

¹⁾ For steel and stainless steel pipes only

²⁾ Not preferred for steel pipes

Definitions

Sensor chart	Description
FSS200	Formerly 1011 clamp-on sensors of the 1010 systems
Standard	Standard system sensor, selectable as part of a configured product
Special	Sensors available for non-standard applications and pipes. Contact tech support for application use
Corrosion resistant	Stainless steel metal parts on all Size C, D and E and all high temperature sensors
Aluminum	Aluminum metal parts on all HP and Universal size A and B (Corrosion resistant on request for size B)
Spare	Not available as part of a configured product, must be ordered separately
CE	Transmitter and sensors certified for sale in the EU
Trackless mount	Sensors fixed only by straps, no other mounting (spacer bar as an option) - not recommended
Tracks	Permanent installation for universal size A/B, high precision size A/B and all sizes of high temperature. Tracks always come as dual-part for either direct or reflect mounting, and always with straps.
Frames	Three sizes, for permanent installation for universal size C/ D/ E, and for high precision size C/D. For universal and high precision size B available for pipes > 125 OD (Spare)
T1	Usable from -40 ... +120 °C (-40 ... +248 °F), but best for Ø temperature below 80 °C (< 176 °F), standard
T2	Usable from -40 ... +120 °C (-40 ... +248 °F), but best for Ø temperature above 80 °C (> 176 °F)
Submersible	Sensors can be used submerged; adding Denso for supplemental protection is recommended

Function (continued)

Sensor availability guide

Sensor models	Availability											
	Standard	Spare only	ATEX/FM/FMc/IECEX	Corrosion resistant	Trackless	Tracks	Frames	High precision mount	T1 best use < 80 °C (176 °F)	T2 best use > 80 °C (176 °F)	Submersible	Catalog
FSS200 Universal Sensor -40 ... 120 °C (-40 ... +248 °F) Polyetherimide - stainless steel housing CE IP68												
A1 Universal for pipe OD – 5.8 ... 50.8 mm (0.23" ... 2")		X	X	X	X ¹⁾	X						X
A2 Universal for pipe OD – 12.7 ... 50.8 mm (0.5" ... 2")	X		X	X	X ¹⁾	X						X X
B1 Universal for pipe OD – 12.7 ... 76 mm (0.5" ... 3")		X	X	X	X ¹⁾	X	X					X
B2 Universal for pipe OD – 12.7 ... 76 mm (0.5" ... 3")		X	X	X	X ¹⁾	X	X					X
B3 Universal for pipe OD – 19 ... 127 mm (0.75" ... 5")	X		X	X	X ¹⁾	X	X					X X
C1 Universal for pipe OD – 51 ... 254 mm (2" ... 10")		X	X	X	X		X					X
C2 Universal for pipe OD – 51 ... 254 mm (2" ... 10")		X	X	X	X		X					X
C3 Universal for pipe OD – 51 ... 305 mm (2" ... 12")	X		X	X	X		X					X X
D1 Universal for pipe OD – 102 ... 508 mm (4" ... 20")		X	X	X	X		X					X
D2 Universal for pipe OD – 152 ... 610 mm (6" ... 24")		X	X	X	X		X					X
D3 Universal for pipe OD – 203 ... 610 mm (8" ... 24")	X		X	X	X		X					X X
*E1 Universal for pipe OD – 254 ... 3048 mm (10" ... 120")		X	X	X	X		X					X
*E2 Universal for pipe OD – 254 ... 6096 mm (10" ... 240")	X		X	X	X		X					X X
*E3 Universal for pipe OD – 304 ... 10007 mm (12" ... 394")		X	X	X	X		X X					X
FSS200 High Precision Sensor -40 ... +120 °C (-40 ... +248 °F) Polyetherimide - stainless steel housing T1/T2 CE IP68												
A1H (High Precision) for pipe WT - 0.64 ... 1.0 mm (0.025" ... 0.04")		X	X	X	X ¹⁾	X		X				X X
A2H (High Precision) for pipe WT - 1.0 ... 1.5 mm (0.04" ... 0.06")	X		X	X	X ¹⁾	X		X				X X
A3H (High Precision) for pipe WT - 1.5 ... 2.0 mm (0.06" ... 0.08")	X		X	X	X ¹⁾	X		X				X X
B1H (High Precision) for pipe WT - 2.0 ... 3.0 mm (0.08" ... 0.12")	X		X	X	X ¹⁾	X	X	X	X	X	X	X X
B2H (High Precision) for pipe WT - 3.0 ... 4.1 mm (0.12" ... 0.16")	X		X	X	X ¹⁾	X	X	X	X	X	X	X X
B3H (High Precision) for pipe WT - 2.7 ... 3.3 mm (0.106" ... 0.128")		X	X	X	X ¹⁾	X	X	X	X	X	X	X X
C1H (High Precision) for pipe WT - 4.1 ... 5.8 mm (0.16" ... 0.23")	X		X	X	X		X X	X	X	X	X	X X
C2H (High Precision) for pipe WT - 5.8 ... 8.1 mm (0.23" ... 0.32")	X		X	X	X		X X	X	X	X	X	X X
* D1H (High Precision) for pipe WT - 8.1 ... 11.2 mm (0.32" ... 0.44")	X		X	X	X		X X	X	X	X	X	X X
* D2H (High Precision) for pipe WT - 11.2 ... 15.7 mm (0.44" ... 0.62")	X		X	X	X		X X	X	X	X	X	X X
* D3H (High Precision) for pipe WT - 7.4 ... 9.0 mm (0.293" ... 0.354")		X	X	X	X		X X	X	X	X	X	X X
* D4H (High Precision) for pipe WT - 15.7 ... 31.8 mm (0.62" ... 1.25")	X		X	X	X		X X	X	X	X	X	X X
FSS200 High Temperature Universal Sensor -40 ... +230 °C (-40 ... +446 °F)												
High Temperature size 1 ... 230 °C (Ø 12.7 ... 100 mm)		X	X	X		X						
High Temperature size 2 ... 230 °C (Ø 30 ... 200 mm)	X		X	X		X						X
High Temperature size 3 ... 230 °C (Ø 150 ... 610 mm)	X		X	X		X						X
High Temperature size 4 ... 230 °C (Ø 400 ... 1200 mm)	X		X	X		X						X
High Temperature size 2A ... 230 °C (Ø 30 ... 200 mm)		X	X	X		X						
High Temperature size 3A ... 230 °C (Ø 150 ... 610 mm)		X	X	X		X						
High Temperature size 4A ... 230 °C (Ø 400 ... 1200 mm)		X	X	X		X						

¹⁾ Usable, but not recommended for selection.

Flow Measurement

SITRANS FS (ultrasonic)

Clamp-on ultrasonic flowmeters

SITRANS FSS200 ultrasonic flow sensor**Function** (continued)**Sensor mounting availability guide**

	Sensor		
	FSS200 Dedicated Universal	FSS200 Dedicated High precision	FSS200 High temperature Universal
Mounting			
Trackless ¹⁾	X	X	
Tracks universal dedicated	X		
Tracks HP dedicated		X	
Frames universal dedicated	X		
Frames HP dedicated		X	
Tracks high temperature universal			X
High precision mounting single enclosure		X	
High precision mounting dual enclosure		X	
SpacerBar	X	X	
Straps	X	X	X
Denso	X	X	

¹⁾ Usable but not recommended

Overview



FST030 is based on the latest developments within Digital Signal Processing (DSP) technology – engineered for high measuring performance, fast response to step changes in flow, high immunity against process noise, easy to install commission and maintain.

The FST030 transmitter delivers true multi-parameter measurements i.e. volume flow, standard volume flow, density, mass flow, fluid sound velocity and temperature.

The multiple outputs and bus communication mean that all primary process information can be read either instantaneously (10 ms update) or periodically as required by plant operations.

Process values

- Volume flow
- Mass flow
- Flow velocity
- Sound velocity
- Standard volume flow (hydrocarbon variant only)
- Density
- Kinematic viscosity
- Pressure
- Medium temperature
- Specific gravity (hydrocarbon variant only)
- Totalizer 1
- Totalizer 2
- Totalizer 3
- Standard density (hydrocarbon variant only)
- Standard specific gravity (hydrocarbon variant only)
- Standardizing factor (hydrocarbon variant only)
- Liquident (hydrocarbon variant only)
- API gravity (hydrocarbon variant only)
- Standard API gravity (hydrocarbon variant only)
- Standard kinematic viscosity (hydrocarbon variant only)
- Liquid identifier (hydrocarbon variant only)

Benefits

Flow calculation and measurement

- Dedicated volume flow calculation with DSP technology
- 100 Hz update rate for all output on all primary process values
- Maximum data age from sensor to output is 20 ms
- Independent low flow cut-off settings for volume and mass flow, standard volume flow and velocity
- Zero-point adjustment on command from discrete input or host system

Operation and display

- User-configurable operation display
 - Full graphical display 240 x 160 pixels with up to 6 programmable views
 - Self-explaining alarm handling/log in clear text
 - Help text for all parameters appears automatically in the configuration menu
- SensorFlash technology stores production specific system documentation and provides removable memory of all flowmeter setups and functions
 - Calibration certificates (with ordered calibration)
 - Non-volatile memory backup of operational data
 - Transfer of user configuration to other flowmeters
 - 4GB SD card for storage and data logging
 - Audit trail of all parameter changes
 - Alarm logging

Alarms and safety

- Advanced diagnosis and service menu enhances troubleshooting and meter validation
- Configurable upper and lower alarm and warning limits for all process values
- Alarm handling can be selected between Siemens and NAMUR standard configurations

Outputs and control

- Monitoring comprising of 3 individually configurable totalizers
- Multi-parameter outputs, configurable outputs assigned individually to any of the following parameters:
 - Volume flow
 - Standard volume flow
 - Mass flow
 - Flow velocity
 - Sound velocity
 - Density
 - Process viscosity
 - Process pressure
 - Process/medium temperature

Up to six I/O channels are configured as follows.

Channel 1

Channel 1 is 4 to 20 mA analog output with HART 7.5. The current signal can be configured for massflow, volume flow and includes the availability of active or passive function selected by wiring on the non-Ex terminals. Alternative Modbus RTU RS 485 is available.

Channel 2

Channel 2 is a signal output which can be freely configured for any process variable.

- Analog current (0/4 to 20 mA)
- Frequency or pulse
- Operational and alarm status

Channels 3 and 4

Channels 3 and 4 can be ordered with signal (freely configured for any process variable) or relay outputs, or signal input.

Flow Measurement

SITRANS FS (ultrasonic)

Clamp-on ultrasonic flowmeters

SITRANS FST030 transmitter

Benefits (continued)

Signal output

Signal output can be user configured to:

- Analog current (0/4 to 20 mA)
- Frequency or pulse
- Redundant frequency or pulse (linked to channel 2)
- Operational and alarm status

Signal input

Signal input can be user-configured for:

- Totalizer reset functions
- Force outputs or freeze process values
- Initiate automatic zero point adjustment

Relay

Relay output(s) can be user configured to:

- Alarm status

4-20 mA signal outputs and inputs are ordered as active or passive for Ex versions, active and passive for non-Ex versions - function selected by wiring on the terminals.

During initial commissioning of the flowmeter, all outputs can be forced to a preset value for simulation, verification or calibration purposes.

Channels 5 and 6 (with internal DSL)

- RTD temperature inputs for 1000, 500 or 100 Ω RTD's - 2, 3 or 4 wire RTD's supported
- Channels 5 and 6 (with external DSL option)
- RTD Temperature inputs or 4-20 ma inputs. Selectable in menu.

Approvals and certificates

The SITRANS FST030 transmitter was designed to comply with or exceed the requirements of international standards and regulations.

Function

The following functions are available:

- Up to four configurable outputs and 2 RTD input channels selected at ordering
- Outputs can be individually configured for mass flow, volume flow etc.
- Three built-in totalizers which can count positive, negative or net flows
- Independent low flow cut-offs, adjustable
- Uni/bidirectional flow measurement
- Flow direction adjustable
- Alarm system consisting of alarm-log, alarm pending menu
- Change log, logs all changes made to menu parameters or via communications
- Internal data logger
- Display of operating time with real-time clock
- Flowrate outputs are freely configurable between maximum negative and maximum positive flows according to the sensor capacity
- Limit switches programmable for flow, density and temperature. Limit points can be graded as warning and alarm for values both above and below nominal process conditions
- Zero adjustment menu, with zero point evaluation display
- Full service menu for effective and straight forward application and meter troubleshooting
- Precise temperature measurement ensures optimal accuracy on massflow and density
- Fully compatible with Siemens PDM version 8.2 service pack 1 or higher

Design

The SITRANS FST030 is designed in an IP67/Nema 4X aluminum enclosure with corrosion resistant coating. It can be wall or pipe mounted and the enclosure can be locked with a padlock or wired with lead security seals. Includes all flow and DSL functions integrated into one unit.

The FST030 is available as standard with one current, HART 7.5 output and can be ordered with additional input/output functions. SITRANS FST030 wall mount housing transmitter has a modular design with discrete, replaceable electronic modules and connection boards to maintain separation between functions and facilitate field service. All modules are fully traceable and their provenance is included in the transmitter setup.

SensorFlash

SensorFlash is a standard, 4 GB micro SD card with the ability to be updated by PC. It is supplied with each transmitter and comes with a complete set of certification documents including report if ordered. Factory conformance certificates are optional at ordering.

The Siemens SensorFlash memory unit offers the following features and benefits:

- Copy site setups to SD card for easy transfer to other similar transmitters
- Permanent database of operational and functional information from the moment that the flowmeter is switched on
- New firmware updates can be downloaded from the Siemens internet portal for Product Support and placed onto Sensor-Flash (unmounted from the transmitter and inserted into a PC's SD card slot). The firmware is then inserted into the existing flowmeter for system/firmware upgrade.

SITRANS FST030 industrial housing

Separate field enclosure with modular design. The FST030 can be installed direct in the field. The SITRANS FST030 use always the separate FS DSL for the sensor connection.

Flow Measurement

SITRANS FS (ultrasonic)

Clamp-on ultrasonic flowmeters

SITRANS FST030 transmitter

Technical specifications

Process media	<ul style="list-style-type: none"> • Suitable for virtually any sonically conductive fluid, including hazardous liquids • Aggregate state: Light slurry and liquid 	Galvanic isolation	All inputs and outputs are galvanically isolated, isolation voltage 500 V
Process variables	<ul style="list-style-type: none"> • Volume flow • Mass flow • Flow velocity • Sound velocity • Standard volume flow (hydrocarbon variant only) • Density • Kinematic viscosity • Pressure • Medium temperature • Specific gravity (hydrocarbon variant only) • Totalizer 1 • Totalizer 2 • Totalizer 3 • Standard density (hydrocarbon variant only) • Standard specific gravity (hydrocarbon variant only) • Standardizing factor (hydrocarbon variant only) • Liquident (hydrocarbon variant only) • API gravity (hydrocarbon variant only) • Standard API gravity (hydrocarbon variant only) • Standard kinematic viscosity (hydrocarbon variant only) • Liquid identifier (hydrocarbon variant only) 	Alarm and warning limit	Available for all process values
Current output		Totalizer	Three counters for forward, net and reverse flow
Current	0 ... 20 mA or 4 ... 20 mA (channel 1 only 4 ... 20 mA)	Display	<ul style="list-style-type: none"> • Background illumination with alpha-numerical text to indicate flow rate, totaled values, settings and faults • Adjustable damping constant of 0 ... 100 s • Reverse flow indicated by negative sign
Load	< 500 Ω per channel	SD card functions	<ul style="list-style-type: none"> • Parameter change log • Configurable data logger • FW update log • Diagnostic log • Error and alarm log • Parameter backup
Time constant	0 ... 100 s adjustable	Ambient temperature	
Digital output		Operation	
Pulse	41.6 μ s ... 5 s pulse duration	• Transmitter	-40 ... +60 °C (-40 ... +140 °F), (humidity max. 95 %)
Frequency	0 ... 10 kHz, 50 % duty cycle, 120 % overscale provision	• Display	-20 ... +60 °C (-4 ... +140 °F)
Time constant	0 ... 100 s adjustable	Storage	
Active	0 ... 22 V DC, 30 mA, short-circuit-protected	• Transmitter	-40 ... +70 °C (-40 ... +158 °F) (humidity max. 95 %)
Passive	3 ... 30 V DC, max. 110 mA	Communication	HART 7.5 Modbus RTU RS 485
Relay		Enclosure	
Type	SPDT dry contact relay	Material	Aluminum
Load	30 V AC/100 mA	Rating	IP66/67, Nema 4X to IEC 529 and DIN 40050 (1 mH ₂ O for 30 min.)
Functions	Alarm level, alarm number, limit, flow direction	Mechanical load	18 ... 400 Hz random, 3.17 g RMS, in all directions
Digital input		Power supply	
Voltage	15 ... 30 V DC (2 ... 15 mA)	Universal	20 ... 27 V DC 100 ... 240 V AC, 47 ... 63 Hz
Current	4 ... 20 mA	Fluctuation	No limit
Functionality	Reset totalizer 1, 2 and 3, force output, freeze process values, zero point adjustment	Power consumption	20 W/22 VA
		Minimum pressure for Gas	7 ... 10 bar (100 ... 145 psi), typical (gas composition and application dependent; plastic pipes support operation at atmospheric pressure)
		Environment	
		Environmental conditions acc. to IEC/EN/UL 61010-1	<ul style="list-style-type: none"> • Altitude up to 2000 m • Pollution degree 2 • Overvoltage category II
		Maintenance	The flowmeter has a built-in error log/pending menu which should be inspected on a regular basis
		Cable glands	Cable glands are available in nylon, nickel plated brass or stainless steel (316L/W1.4404)

Flow Measurement

SITRANS FS (ultrasonic)

Clamp-on ultrasonic flowmeters

SITRANS FST030 transmitter

Technical specifications (continued)

Approvals

For non-hazardous area

No approval required

For hazardous area

- ATEX

- Sensor
- Transmitter with integrated DSL
- External DSL
- Transmitter with industrial enclosure

Zone 0, 1, 2
Zone 2
Zone 0, 1, 2
Zone 1, 2

- FM

- Sensor
- Transmitter
- External DSL
- Transmitter with industrial enclosure

Class 1, Div 1, 2
Class 1, Div 2
Class 1, Div 1
Class 1, Div 1, 2

- FM Canada

- Sensor
- Transmitter with integrated DSL
- External DSL
- Transmitter with industrial enclosure

Class 1, Div 1, 2 (Zone 0, 1, 2)
Class 1, Div 2 (Zone 2)
Class 1, Div 1, 2 (Zone 0, 1, 2)
Class 1, Div 2 (Zone 2)

Approvals (continued)

- Combination Approval:

- ATEX, IECEX, FM, FM Canada
- Sensor
- Transmitter with integrated DSL
- External DSL
- Transmitter with industrial enclosure

Zone 0, 1, 2 (Div 1, 2)
Zone 2 (Div 2)
Zone 0, 1, 2 (Div 1)
Zone 1, 2 (Div 2)

Certificates

CE conformity marking

- Low voltage directive
- WEEE
- RoHS

EMC performance

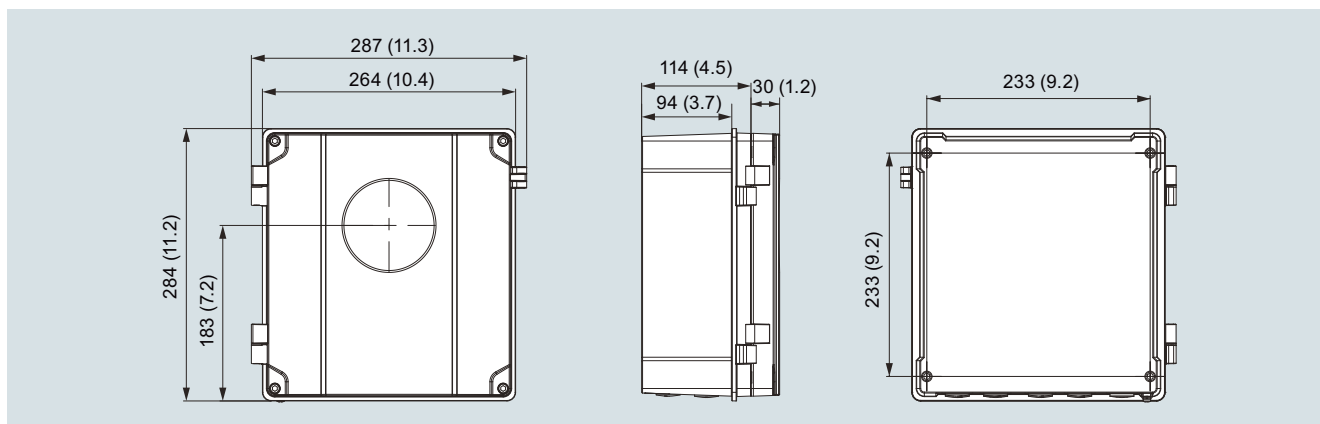
Emission

CISPR 11:2009/A1:2010 and
EN 55011:2009/A1:2010

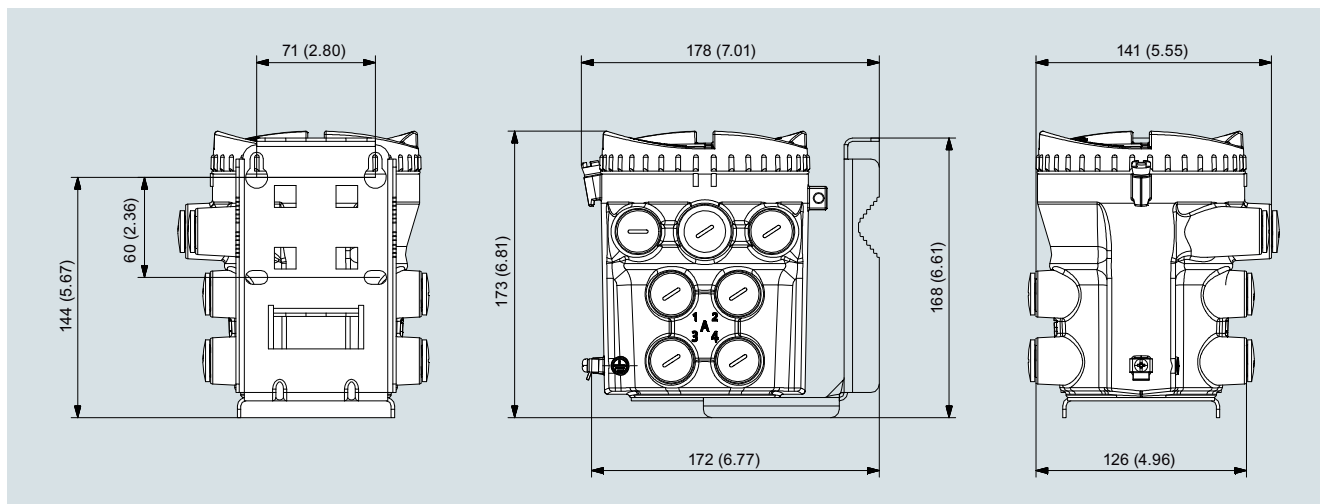
Immunity

IEC/EN 61326-1:2013

Dimensional drawing

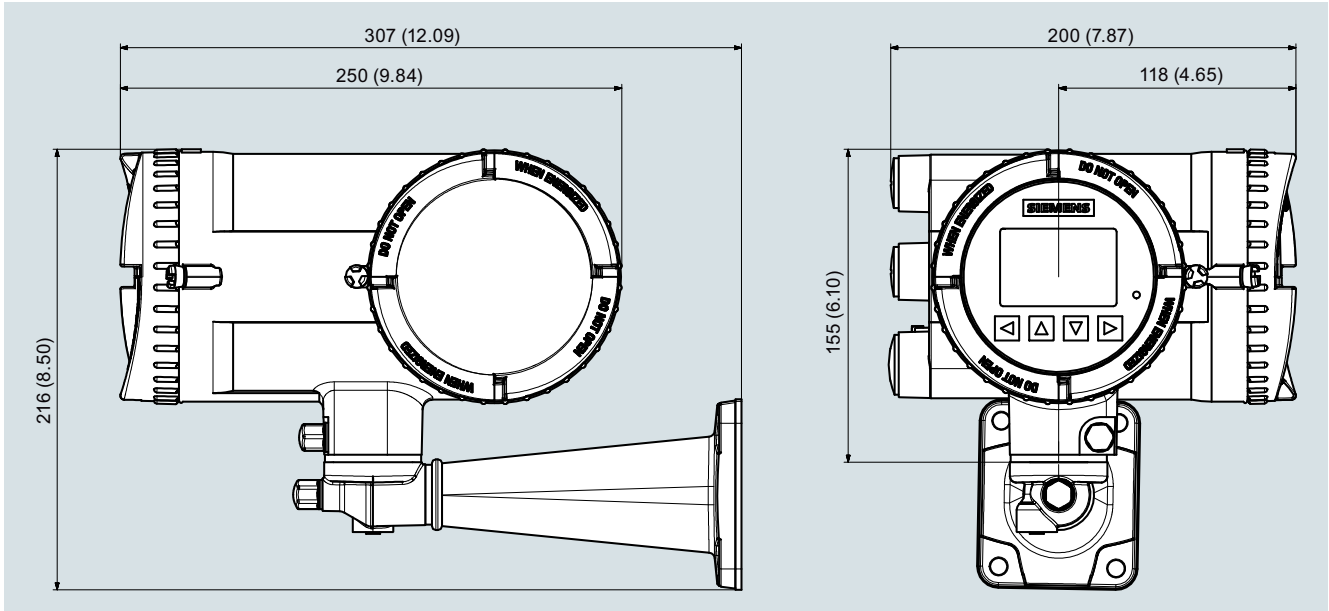


SITRANS FST030, wall mount version, dimensions in mm (inch)

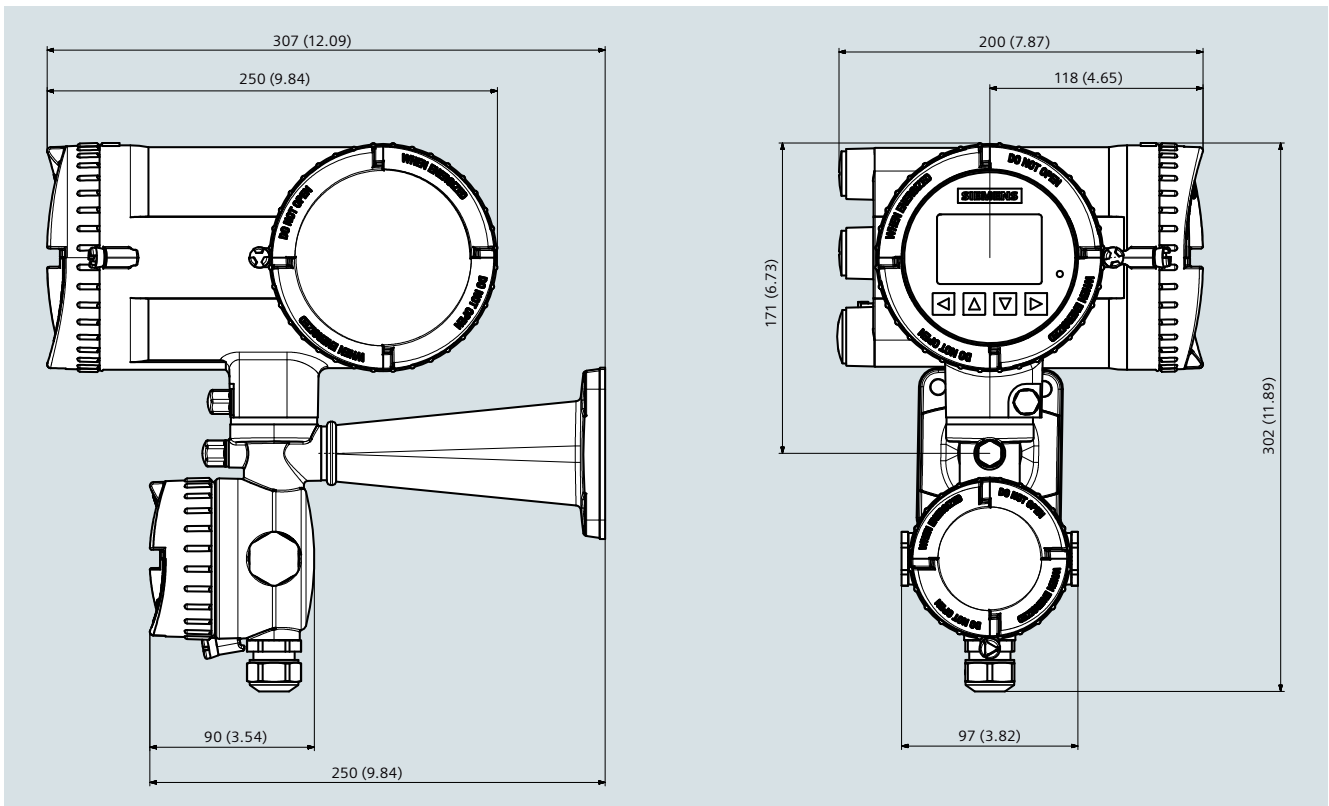


External DSL, dimensions in mm (inch)

Dimensional drawing (continued)



SITRANS FST030 industrial transmitter with M12 connection, dimensions in mm (inch)



SITRANS FST030 with terminal house, dimensions in mm (inch)

Flow Measurement

SITRANS FS (ultrasonic)

Clamp-on ultrasonic flowmeters

Selection and ordering data for SITRANS FS230

3

Selection and ordering data

Article No.

SITRANS FS230 clamp-on flowmeter

7ME372

SITRANS FS230 clamp-on flowmeter

Article No.

7ME372

Click on the Article No. for the online configuration in the PIA Life Cycle Portal.

Transmitter model

Transmitter FST030

3

Pipe material/temperature

- Transmitter only - no sensor 0
- Steel (stainless steel, carbon steel), temperature range: best use < 80 °C (176 °F) 1
- Steel (stainless steel, carbon steel), temperature range: best use > 80 °C (176 °F) 2
- Plastic (PVC) (for gas applications), temperature: -40 ... 65.5 °C (-40 ... 150 °F) 4
- Plastic (PVC) (for liquid applications), temperature: -40 ... +121 °C (-40 ... 250 °F) 6
- All materials except steel and plastic, temperature: -40 ... +121 °C (-40 ... 250 °F) 7
- Any material, very high temperature: -40 ... +230 °C (-40 ... 446 °F) 8

Pipe outer diameter range

- Transmitter only - no sensor A
- 13 ... 19 mm (0.5 ... 0.75") B
- 19.3 ... 30.5 mm (0.76 ... 1.20") C
- 30.7 ... 50.8 mm (1.21 ... 2.00") D
- 51 ... 76 mm (2.01 ... 3.00") E
- 78 ... 127 mm (3.1 ... 5.0") F
- 129 ... 203 mm (5.1 ... 8.0") G
- 206 ... 305 mm (8.1 ... 12.0") H
- 307 ... 508 mm (12.1 ... 20.0") J
- 510 ... 813 mm (20.1 ... 32.0") K
- 815 ... 9144 mm (32.1 ... 360") L

Pipe wall thickness range

- Transmitter only - no sensor A
- 0.635 ... 1.016 mm (0.025 ... 0.04") B
- 1.016 ... 1.524 mm (0.04 ... 0.06") C
- 1.524 ... 2.032 mm (0.06 ... 0.08") D
- 2.032 ... 3.048 mm (0.08 ... 0.12") E
- 3.048 ... 4.064 mm (0.12 ... 0.16") F
- 4.064 ... 5.842 mm (0.16 ... 0.23") G
- 5.842 ... 8.128 mm (0.23 ... 0.32") H
- 8.128 ... 11.176 mm (0.32 ... 0.44") J
- 11.176 ... 15.748 mm (0.44 ... 0.62") K
- 15.748 ... 31.75 mm (0.62 ... 1.25") L
- 31.75 ... 50.8 mm (1.25 ... 2.00") M

Sensor mounting

- Transmitter only - no sensor 0
- Mounting straps only 1
- Standard frames and tracks 2
- Magnetic - no straps 4
- Magnetic - with straps 6
- High precision mount (single encl.) 7
- High precision mount (dual encl.) 8

Number of paths (sensor pairs)

- Transmitter only - no sensor 0
- One path 1
- Two path 2
- Three path 3
- Four path 4

Environment

Standard

1

Transmitter/DSL material and mounting style

- Industrial enclosure transmitter with external FS DSL for remote to the sensors. Transmitter and DSL: aluminum cast, NEMA 4X, max. 4 path, M12 connection between transmitter and FS-DSL with SSL cable. G
- Industrial enclosure transmitter with external FS DSL for remote to the sensors. Transmitter and DSL: aluminum cast, NEMA 4X, max. 4 path, cable connection between transmitter and FS-DSL with SSL cable. K
- Replacement DSL for option V transmitter, no transmitter; DSL: aluminium cast, Nema 4X, M12 socket for DSL to transmitter interconnect cable N
- Replacement DSL for option W transmitter, no transmitter; DSL: aluminium cast, Nema 4X, terminal block for DSL to transmitter interconnect cable Q
- Wallmount transmitter, internal DSL Transmitter: aluminum wallbox, Nema 4X; DSL: none, direct connected sensor cables (max. 2-path, max. 20 meter sensor cable) U
- Wall box housing, external DSL, remote to sensor Transmitter: aluminum wallbox, Nema 4X; DSL: aluminum cast, Nema 4X, M12 socket for DSL to transmitter interconnect cable (max 4-path, max. 20 meter sensor cable, max. 150 meter interconnect cable) V
- Wall box housing, external DSL, remote to sensor; Transmitter: aluminum wall box, Nema 4X DSL: aluminum cast, Nema 4X, terminal block for DSL to transmitter interconnect cable (max. 4-path, max. 150 meter interconnect cable) W

Ex approvals

- Non-Ex A
- ATEX, wallbox enclosure B
- ATEX, industrial enclosure C
- IECEX, wallbox enclosure E
- IECEX, industrial enclosure F
- FM, FMc, wallbox enclosure G
- FM, FMc, industrial enclosure H
- CSA, wallbox enclosure L
- CSA, industrial enclosure M
- ATEX, IECEX, FM, CSA, industrial enclosure N
- ATEX, IECEX, FM, FMc, wallbox encl. P
- NEPSI + ATEX + IECEX Z Q 0 B
- EAC EX + ATEX + IECEX Z Q 0 E
- InMetro + ATEX + IECEX Z Q 0 D
- KCs + ATEX + IECEX Z Q 0 F

Local User Interface

- Blind version transmitter 1
- Graphical local user interface, 240 x 160 pixels 3

Selection and ordering data	Order code	Order code
<i>Further designs</i>		
Please add “-Z” to Article No. and specify Order code(s) and plain text.		
Cable glands - transmitter, DSL (not for sensor cables)		
No glands, metric threads on transmitter	A01	Plastic glands: quantity based on selection "U" in data place 14 A64
No cable glands, NPT thread, nickel plated brass, quantity based on option "G" data place 14	A20	Stainless steel glands: quantity based on selection "U" in data place 14 A66
No cable glands, NPT thread, stainless steel, quantity based on option "G" data place 14	A21	No glands, metric thread with NPT thread adapters, nickel plated brass: quantity based on selection "V" in data place 14 A70
Cable glands, nickel plated brass, quantity based on option "G" data place 14	A22	No glands, metric thread with NPT thread adapters, stainless steel: quantity based on selection "V" in data place 14 A71
Cable glands, plastic, quantity based on option "G" data place 14	A24	Nickel plated brass glands: quantity based on selection "V" in data place 14 A72
Cable glands, stainless steel, quantity based on option "G" data place 14	A26	Plastic glands: quantity based on selection "V" in data place 14 A74
No cable glands, NPT thread, nickel plated brass, quantity based on option "K" data place 14	A30	Stainless steel glands: quantity based on selection "V" in data place 14 A76
No cable glands, NPT thread, stainless steel, quantity based on option "K" data place 14	A31	No glands, metric thread with NPT thread adapters, nickel plated brass: quantity based on selection "W" in data place 14 A80
Cable glands, nickel plated brass, quantity based on option "K" data place 14	A32	No glands, metric thread with NPT thread adapters, stainless steel: quantity based on selection "W" in data place 14 A81
Cable glands, plastic, quantity based on option "K" data place 14	A34	Nickel plated brass glands: quantity based on selection "W" in data place 14 A82
Cable glands, stainless steel, quantity based on option "K" data place 14	A36	Plastic glands: quantity based on selection "W" in data place 14 A84
No glands, metric thread with NPT thread adapters, nickel plated brass: quantity based on selection "N" in data place 14	A40	Stainless steel glands: quantity based on selection "W" in data place 14 A86
No glands, metric thread with NPT thread adapters, stainless steel: quantity based on selection "N" in data place 14	A41	
Nickel plated brass glands: quantity based on selection "N" in data place 14	A42	Software functions and CT approvals
Plastic glands: quantity based on selection "N" in data place 14	A44	For standard industry applications (liquids, e.g. water) B11
Stainless steel glands: quantity based on selection "N" in data place 14	A46	Hydrocarbon applications (oil table with temperature and viscosity compensation) B39
No glands, metric thread with NPT thread adapters, nickel plated brass: quantity based on selection "Q" in data place 14	A50	For gas process values B50
No glands, metric thread with NPT thread adapters, stainless steel: quantity based on selection "Q" in data place 14	A51	
Nickel plated brass glands: quantity based on selection "Q" in data place 14	A52	I/O configuration Ch1
Plastic glands: quantity based on selection "Q" in data place 14	A54	Non-Ex, 4 ... 20 mA HART, menu selected passive/active E02
Stainless steel glands: quantity based on selection "Q" in data place 14	A56	Ex, 4 ... 20 mA HART, active E06
No glands, metric thread with NPT thread adapters, stainless steel: quantity based on selection "U" in data place 14	A60	Ex, 4 ... 20 mA HART, passive E07
No glands, metric thread with NPT thread adapters, nickel plated brass: quantity based on selection "U" in data place 14	A61	Modbus RTU 485 E14
Nickel plated brass glands: quantity based on selection "U" in data place 14	A62	
		I/O configuration Ch2, Ch3 and Ch4
		None F00
		Non-Ex
		• Ch2: current/freq./pulse, Ch3: none Ch4: none. Active/passive menu selected F01
		• Ch2: current/freq./pulse, Ch3: current/freq./pulse Ch4: none. Active/passive menu selected F02
		• Ch2:current/freq./pulse, Ch3: current/freq./pulse Ch4:current/freq./pulse. Active/passive menu selected F03
		• Ch2:current/freq./pulse, Ch3: current/freq./pulse Ch4: relay. Active/passive menu selected F04
		• Ch2: current/freq./pulse, Ch3: relay Ch4: relay. Active/passive menu selected F05
		• Ch2: current/freq./pulse, Ch3: relay Ch4: none. Active/passive menu selected F06

Flow Measurement

SITRANS FS (ultrasonic)

Clamp-on ultrasonic flowmeters

Selection and ordering data for SITRANS FS230

Selection and ordering data	Order code	Order code
Ex Passive		
• Ch2: current/freq./pulse, Ch3: none Ch4: none	F11	5 m (16.4 ft) standard/submersible coax sensor cable pair with stainless steel glands K33
• Ch2: current/freq./pulse, Ch3: current/freq./pulse Ch4: none	F12	10 m (32.8 ft) standard/submersible coax sensor cable pair with stainless steel glands K34
• Ch2: current/freq./pulse, Ch3: current/freq./pulse Ch4: current/freq./pulse	F13	20 m (65.6 ft) standard/submersible coax sensor cable pair with stainless steel glands K35
• Ch2: current/freq./pulse, Ch3: current/freq./pulse, Ch4: relay	F14	5 m (16.4 ft) plenum rated coax sensor cable pair with nylon glands K36
• Ch2: current/freq./pulse, Ch3: relay, Ch4: relay	F15	20 m (65.6 ft) plenum rated coax sensor cable pair with nylon glands K37
• Ch2: current/freq./pulse, Ch3: relay, Ch4: none	F16	5 m (16.4 ft) plenum rated coax sensor cable pair with nickel plated brass glands K38
Ex Active		
• Ch2: current/freq./pulse, Ch3: none, Ch4: none	F21	20 m (65.6 ft) plenum rated coax sensor cable pair with nickel plated brass glands K39
• Ch2: current/freq./pulse, Ch3: current/freq./pulse Ch4: None	F22	5 m (16.4 ft) plenum rated coax sensor cable pair with stainless steel glands K40
• Ch2: current/freq./pulse, Ch3: current/freq./pulse Ch4: current/freq./pulse	F23	20 m (65.6 ft) plenum rated coax sensor cable pair with stainless steel glands K41
• Ch2: current/freq./pulse, Ch3: current/freq./pulse Ch4: relay	F24	1 m (3.2 ft) armored sensor cable pair with nickel plated brass glands. Temperature: -25 ... +80 C K50
• Ch2: current/freq./pulse, Ch3: relay, Ch4: relay	F25	3 m (9.8 ft) armored sensor cable pair with nickel plated brass glands. Temperature: -25 ... +80 C K51
• Ch2: current/freq./pulse, Ch3: relay, Ch4: none	F26	
Certificates		
Factory certification 2.2 to EN 10204:2004	C19	5 m (16.4 ft) armored sensor cable pair with nickel plated brass glands. Temperature: -25 ... +80 C K52
DSL strap kit (to strap DSL to pipe)		
• 60.3 mm (2 inch) pipe mount with U-bolts	G01	10 m (32.8 ft) armored sensor cable pair with nickel plated brass glands K53
• Stainless steel strap to mount DSL to pipe DN 60 ... 150 pipe size (2 ... 6 inch)	G03	20 m (65.6 ft) armored sensor cable pair with nickel plated brass glands K54
• Stainless steel strap to mount DSL to pipe DN 150 ... 300 (6 ... 12 inch)	G05	10 m (32.8 ft) standard/submersible coax sensor cable pair with no transmitter glands K76
• Stainless steel strap to mount DSL to pipe DN 300 ... 400 (12 ... 16 inch)	G07	20 m (65.6 ft) standard/submersible coax sensor cable pair with no transmitter glands K77
• Stainless steel strap to mount DSL to pipe DN 400 ... 600 (16 ... 24 inch)	G08	20 m (65.6 ft) plenum rated coax sensor cable pair with no glands K78
Temperature sensors and pockets		
1000 Ω platinum standard clamp-on RTD	J61	
1000 Ω platinum submersible clamp-on RTD	J62	
Sensor cables to transmitter/DSL for 1-path		
1 m (3.2 ft) standard/submersible coax sensor cable pair with nylon glands	K21	Sensor cables to transmitter/DSL for 2-path 1 m (3.2 ft) standard/submersible coax sensor cable pair with nylon glands T21
3 m (9.8 ft) standard/submersible coax sensor cable pair with nylon glands	K22	3 m (9.8 ft) standard/submersible coax sensor cable pair with nylon glands T22
5 m (16.4 ft) standard/submersible coax sensor cable pair with nylon glands	K23	5 m (16.4 ft) standard/submersible coax sensor cable pair with nylon glands T23
10 m (32.8 ft) standard/submersible coax sensor cable pair with nylon glands	K24	10 m (32.8 ft) standard/submersible coax sensor cable pair with nylon glands T24
20 m (65.6 ft) standard/submersible coax sensor cable pair with nylon glands	K25	20 m (65.6 ft) standard/submersible coax sensor cable pair with nylon glands T25
1 m (3.2 ft) standard/submersible coax sensor cable pair with nickel plated brass glands	K26	1 m (3.2 ft) standard/submersible coax sensor cable pair with nickel plated brass glands T26
3 m (9.8 ft) standard/submersible coax sensor cable pair with nickel plated brass glands	K27	3 m (9.8 ft) standard/submersible coax sensor cable pair with nickel plated brass glands T27
5 m (16.4 ft) standard/submersible coax sensor cable pair with nickel plated brass glands	K28	5 m (16.4 ft) standard/submersible coax sensor cable pair with nickel plated brass glands T28
10 m (32.8 ft) standard/submersible coax sensor cable pair with nickel plated brass glands	K29	10 m (32.8 ft) standard/submersible coax sensor cable pair with nickel plated brass glands T29
20 m (65.6 ft) standard/submersible coax sensor cable pair with nickel plated brass glands	K30	20 m (65.6 ft) standard/submersible coax sensor cable pair with nickel plated brass glands T30
1 m (3.2 ft) standard/submersible coax sensor cable pair with stainless steel glands	K31	1 m (3.2 ft) standard/submersible coax sensor cable pair with stainless steel glands T31
3 m (9.8 ft) standard/submersible coax sensor cable pair with stainless steel glands	K32	3 m (9.8 ft) standard/submersible coax sensor cable pair with stainless steel glands T32
		5 m (16.4 ft) standard/submersible coax sensor cable pair with stainless steel glands T33

Selection and ordering data	Order code		Order code
10 m (32.8 ft) standard/submersible coax sensor cable pair with stainless steel glands	T34	20 m (65.6 ft) standard/submersible coax sensor cable pair with stainless steel glands	U35
20 m (65.6 ft) standard/submersible coax sensor cable pair with stainless steel glands	T35	5 m (16.4 ft) plenum rated coax sensor cable pair with nylon glands	U36
5 m (16.4 ft) plenum rated coax sensor cable pair with nylon glands	T36	20 m (65.6 ft) plenum rated coax sensor cable pair with nylon glands	U37
20 m (65.6 ft) plenum rated coax sensor cable pair with nylon glands	T37	5 m (16.4 ft) plenum rated coax sensor cable pair with nickel plated brass glands	U38
5 m (16.4 ft) plenum rated coax sensor cable pair with nickel plated brass glands	T38	20 m (65.6 ft) plenum rated coax sensor cable pair with nickel plated brass glands	U39
20 m (65.6 ft) plenum rated coax sensor cable pair with nickel plated brass glands	T39	5 m (16.4 ft) plenum rated coax sensor cable pair with stainless steel glands	U40
5 m (16.4 ft) plenum rated coax sensor cable pair with stainless steel glands	T40	20 m (65.6 ft) plenum rated coax sensor cable pair with stainless steel glands	U41
20 m (65.6 ft) plenum rated coax sensor cable pair with stainless steel glands	T41	1 m (3.2 ft) armored sensor cable pair with nickel plated brass glands. Temperature: -25 ... +80 C	U50
1 m (3.2 ft) armored sensor cable pair with nickel plated brass glands. Temperature: -25 ... +80 C	T50	3 m (9.8 ft) armored sensor cable pair with nickel plated brass glands. Temperature: -25 ... +80 C	U51
3 m (9.8 ft) armored sensor cable pair with nickel plated brass glands. Temperature: -25 ... +80 C	T51	5 m (16.4 ft) armored sensor cable pair with nickel plated brass glands. Temperature: -25 ... +80 C	U52
5 m (16.4 ft) armored sensor cable pair with nickel plated brass glands. Temperature: -25 ... +80 C	T52	10 m (32.8 ft) armored sensor cable pair with nickel plated brass glands	U53
10 m (32.8 ft) armored sensor cable pair with nickel plated brass glands	T53	20 m (65.6 ft) armored sensor cable pair with nickel plated brass glands	U54
20 m (65.6 ft) armored sensor cable pair with nickel plated brass glands	T54	10 m (32.8 ft) standard/submersible coax sensor cable pair with no transmitter glands	U76
10 m (32.8 ft) standard/submersible coax sensor cable pair with no transmitter glands	T76	20 m (65.6 ft) standard/submersible coax sensor cable pair with no transmitter glands	U77
20 m (65.6 ft) standard/submersible coax sensor cable pair with no transmitter glands	T77	20 m (65.6 ft) plenum rated coax sensor cable pair with no glands	U78
20 m (65.6 ft) plenum rated coax sensor cable pair with no glands	T78	Sensor cables to transmitter/DSL for 4-path	
Sensor cables to transmitter/DSL for 3-path		1 m (3.2 ft) standard/submersible coax sensor cable pair with nylon glands	V21
1 m (3.2 ft) standard/submersible coax sensor cable pair with nylon glands	U21	3 m (9.8 ft) standard/submersible coax sensor cable pair with nylon glands	V22
3 m (9.8 ft) standard/submersible coax sensor cable pair with nylon glands	U22	5 m (16.4 ft) standard/submersible coax sensor cable pair with nylon glands	V23
5 m (16.4 ft) standard/submersible coax sensor cable pair with nylon glands	U23	10 m (32.8 ft) standard/submersible coax sensor cable pair with nylon glands	V24
10 m (32.8 ft) standard/submersible coax sensor cable pair with nylon glands	U24	20 m (65.6 ft) standard/submersible coax sensor cable pair with nylon glands	V25
20 m (65.6 ft) standard/submersible coax sensor cable pair with nylon glands	U25	1 m (3.2 ft) standard/submersible coax sensor cable pair with nickel plated brass glands	V26
1 m (3.2 ft) standard/submersible coax sensor cable pair with nickel plated brass glands	U26	3 m (9.8 ft) standard/submersible coax sensor cable pair with nickel plated brass glands	V27
3 m (9.8 ft) standard/submersible coax sensor cable pair with nickel plated brass glands	U27	5 m (16.4 ft) standard/submersible coax sensor cable pair with nickel plated brass glands	V28
5 m (16.4 ft) standard/submersible coax sensor cable pair with nickel plated brass glands	U28	10 m (32.8 ft) standard/submersible coax sensor cable pair with nickel plated brass glands	V29
10 m (32.8 ft) standard/submersible coax sensor cable pair with nickel plated brass glands	U29	20 m (65.6 ft) standard/submersible coax sensor cable pair with nickel plated brass glands	V30
20 m (65.6 ft) standard/submersible coax sensor cable pair with nickel plated brass glands	U30	1 m (3.2 ft) standard/submersible coax sensor cable pair with stainless steel glands	V31
1 m (3.2 ft) standard/submersible coax sensor cable pair with stainless steel glands	U31	3 m (9.8 ft) standard/submersible coax sensor cable pair with stainless steel glands	V32
3 m (9.8 ft) standard/submersible coax sensor cable pair with stainless steel glands	U32	5 m (16.4 ft) standard/submersible coax sensor cable pair with stainless steel glands	V33
5 m (16.4 ft) standard/submersible coax sensor cable pair with stainless steel glands	U33	10 m (32.8 ft) standard/submersible coax sensor cable pair with stainless steel glands	V34
10 m (32.8 ft) standard/submersible coax sensor cable pair with stainless steel glands	U34	20 m (65.6 ft) standard/submersible coax sensor cable pair with stainless steel glands	V35

Flow Measurement

SITRANS FS (ultrasonic)

Clamp-on ultrasonic flowmeters

Selection and ordering data for SITRANS FS230

Selection and ordering data

Order code

Order code

5 m (16.4 ft) plenum rated coax sensor cable pair with nylon glands	V36
20 m (65.6 ft) plenum rated coax sensor cable pair with nylon glands	V37
5 m (16.4 ft) plenum rated coax sensor cable pair with nickel plated brass glands	V38
20 m (65.6 ft) plenum rated coax sensor cable pair with nickel plated brass glands	V39
5 m (16.4 ft) plenum rated coax sensor cable pair with stainless steel glands	V40
20 m (65.6 ft) plenum rated coax sensor cable pair with stainless steel glands	V41
1 m (3.2 ft) armored sensor cable pair with nickel plated brass glands. Temperature: -25 ... +80 C	V50
3 m (9.8 ft) armored sensor cable pair with nickel plated brass glands. Temperature: -25 ... +80 C	V51
5 m (16.4 ft) armored sensor cable pair with nickel plated brass glands. Temperature: -25 ... +80 C	V52
10 m (32.8 ft) armored sensor cable pair with nickel plated brass glands	V53
20 m (65.6 ft) armored sensor cable pair with nickel plated brass glands	V54
10 m (32.8 ft) standard/submersible coax sensor cable pair with no transmitter glands	V76
20 m (65.6 ft) standard/submersible coax sensor cable pair with no transmitter glands	V77
20 m (65.6 ft) plenum rated coax sensor cable pair with no glands	V78
Cable, DSL to wallbox transmitter	
5 m (16.4 ft) standard DSL cable (2 mounted M12 plugs)	L51
5 m (16.4 ft) standard DSL cable (no plugs mounted)	L52
10 m (32.8 ft) standard DSL cable (2 mounted M12 plugs)	L55
10 m (32.8 ft) standard DSL cable (no plugs mounted)	L56
25 m (82 ft) standard DSL cable (2 mounted plugs)	L59
25 m (82 ft) standard DSL cable (no plugs mounted)	L60
50 m (164 ft) standard DSL cable (2 mounted plugs)	L63
50 m (164 ft) standard DSL cable (no plugs mounted)	L64
75 m (246.1 ft) standard DSL cable (2 mounted plugs)	L67
75 m (246.1 ft) standard DSL cable (no plugs mounted)	L68
150 m (492.1 ft) standard DSL cable (2 mounted plugs)	L71
150 m (492.1 ft) standard DSL cable (no plugs mounted)	L72

RTD cable

(clamp temperature sensor to transmitter)

6 m (20 ft) standard RTD cable	R50
15 m (50 ft) standard RTD cable	R51
30 m (100 ft) standard RTD cable	R52
46 m (150 ft) standard RTD cable	R53
61 m (200 ft) standard RTD cable	R54
91 m (300 ft) standard RTD cable	R55
6 m (20 ft) submersible RTD cable	R56
15 m (50 ft) submersible RTD cable	R57
30 m (100 ft) submersible RTD cable	R58
46 m (150 ft) submersible RTD cable	R59
61 m (200 ft) submersible RTD cable	R60
91 m (300 ft) submersible RTD cable	R61

RTD cable

(insert temperature sensor to transmitter)

15 m (50 ft) RTD cable with nickel plated gland	R74
15 m (50 ft) RTD cable with stainless steel gland	R75
30 m (100 ft) RTD cable with nickel plated gland	R76
30 m (100 ft) RTD cable with stainless steel gland	R77
91 m (300 ft) RTD cable with nickel plated gland	R78
91 m (300 ft) RTD cable with stainless steel gland	R79
15 m (50 ft) insert RTD cable with nickel plated gland	R80
15 m (50 ft) insert RTD cable with stainless steel gland	R81
30 m (100 ft) insert RTD cable with nickel plated gland	R82
30 m (100 ft) insert RTD cable with stainless steel gland	R83
91 m (300 ft) insert RTD cable with nickel plated gland	R84
91 m (300 ft) insert RTD cable with stainless steel gland	R85

Mass storage

Enable mass storage function for SD card (not available for USA)	S30
--	------------

Country specific approval

KC-approval for South Korea	W28
-----------------------------	------------

Tag plate

Tag plate for external DSL, stainless steel	Y14
Tag plate for transmitter, stainless steel	Y15
Tag name plate, stainless steel	Y17

Flow Measurement

SITRANS FS (ultrasonic)

Clamp-on ultrasonic flowmeters

Selection and ordering data for SITRANS FS230

Selection and ordering data	Article No.	Article No.
System spare parts		
Tool kits and loose parts		
"F" connector tool kit, 2 per	A5E38145699	Ex Active
Bag of loose spare parts; for wallmount, including cable strain relief components, mounting tool, seals and gasket, assorted screws and washers, hex cap nut, blind plugs, and O-rings	A5E38288072	<ul style="list-style-type: none"> • Ch2: current/freq./pulse, Ch3: None Ch4: none • Ch2: current/freq./pulse, Ch3: current/freq./pulse Ch4: none • Ch2: current/freq./pulse, Ch3: current/freq./pulse Ch4: current/freq./pulse • Ch2: current/freq./pulse, Ch3: current/freq./pulse Ch4: relay • Ch2: current/freq./pulse, Ch3: relay Ch4: relay • Ch2: current/freq./pulse, Ch3: relay Ch4: none
Electronics assemblies and modules		
Wall mount transmitter		Ex Passive
• Display and keypad assembly	A5E37697615	<ul style="list-style-type: none"> • Ch2: current/freq./pulse, Ch3: none Ch4: none • Ch2: current/freq./pulse, Ch3: current/freq./pulse Ch4: none • Ch2: current/freq./pulse, Ch3: current/freq./pulse Ch4: current/freq./pulse • Ch2: current/freq./pulse, Ch3: current/freq./pulse Ch4: relay • Ch2: current/freq./pulse, Ch3: relay Ch4: relay • Ch2: current/freq./pulse, Ch3: relay Ch4: none
• Digital Sensor Link (DSL), internal, module only, for wall box, standard process values	A5E38014726	
• Digital Sensor Link (DSL), internal, module only, for wall box, hydrocarbon process values	A5E42138542	
• Digital Sensor Link (DSL), internal, module only, for wall box, gas process values	A5E47202379	
• SensorFlash (4 GB micro SD card)	A5E38288507	
• -40 °C ... +85 °C		
• Power supply, for wall box, (240 V AC, 47 ... 63 Hz), (24 ... 90 V DC)	A5E38263021	
• Foam insert for wall box with connectors	A5E38287828	
External DSL		
• Digital Sensor Link (DSL), external, module only, standard process values	A5E38014662	
• Digital Sensor Link (DSL), external, module only, hydrocarbon process values	A5E37843869	
• Digital Sensor Link (DSL), external, module only, gas process values	A5E47202369	
• F connector board set: board A, board B and screws for mounting	A5E45882316	
• Front end module cover plate with screws for mounting	A5E45882046	
Cassettes, I/O configuration and communication		
Ex		
• Ch1: I/O and comm (active) 4 ... 20 mA output and HART 7.2	A5E38012278	
• Ch1: I/O and comm (passive) 4 ... 20 mA output and HART 7.2	A5E38013025	
• Ch1: communication Modbus RTU 485	A5E38013054	
Non Ex		
• Ch1: I/O and comm (active/passive) 4 ... 20 mA output and HART 7.2	A5E38013040	
• Ch1: communication Modbus RTU 485	A5E38013069	
• Ch2: current/freq./pulse, Ch3: None Ch4: none. Menu select active/passive	A5E38006256	
• Ch2: current/freq./pulse, Ch3: current/freq./pulse Ch4: none. Menu select active/passive	A5E38006558	
• Ch2: current/freq./pulse, Ch3: current/freq./pulse Ch4: current/Freq./Pulse. Menu select active/passive	A5E38006598	
• Ch2: current/freq./pulse, Ch3: current/freq./pulse Ch4: relay. Menu select active/passive	A5E38006896	
• Ch2: current/freq./pulse, Ch3: relay Ch4: relay. Menu select active/passive	A5E38006900	
• Ch2: current/freq./pulse, Ch3: relay Ch4: none. Menu select active/passive	A5E38011432	
		Miscellaneous parts
		General
		<ul style="list-style-type: none"> • Blind plug brass-nickel 10 pcs (Ex version) • Blind plug stainless steel 10 pcs (Ex version) • F connectors, 4 pcs • M12 adapter for DSL or wall mounted transmitter
		Wall mount transmitter
		<ul style="list-style-type: none"> • Wall bracket "pipe mounting" • Wall bracket "panel mounting" • Metal kit: PSU cover, back plane • Power input cover plate
		External DSL
		<ul style="list-style-type: none"> • Wall mount bracket and screws for mounting DSL on bracket • Lid with O-ring • Bag with parts: cable strain reliefs, screws and washers, lid lock screw, grounding parts • Accessory pipe mount kit for 60.3 mm (2.375 inch) pipe • Accessory pipe strap kit for DN 50 ... 150 (2 ... 6 inch) pipe • Accessory pipe strap kit for DN 150 ... 300 (6 ... 12 inch) pipe • Accessory pipe strap kit for DN 300 ... 400(12 ... 16 inch) pipe • Accessory pipe strap kit for DN 400 ... 600(16 ... 24 inch) pipe
		Cable glands
		Set of cable glands, plastic, black, metric
		A5E03907414
		Set of cable glands, Ex e/i, plastic, metric
		A5E03907424
		Set of cable glands, Ex e/i, stainless steel, metric
		A5E03907429
		Set of cable glands, Ex e/i, brass nickel-plated, metric
		A5E03907430
		Set of cable glands, plastic, black, NPT
		A5E03907435
		Set of cable glands, Ex e/i, plastic, NPT
		A5E03907451
		Set of cable glands, Ex e/i, stainless steel, NPT
		A5E03907467
		Set of cable glands, Ex e/i, brass nickel-plated, NPT
		A5E03907473

Flow Measurement

SITRANS FS (ultrasonic)

Clamp-on ultrasonic flowmeters

Selection and ordering data for SITRANS FS230

Selection and ordering data (continued)

Article No./Sensor Crossreference

Steel (T1)			Steel (T2)			Plastic (liquid)		
Data place 8,9,10 of 7ME372-... combination	Sensor part number	Sensor Size Code	Data place 8,9,10 of 7ME372-... combination	Sensor part number	Sensor Size Code	Data place 8,9,10 of 7ME372-... combination	Sensor part number	Sensor Size Code
1BB	7ME3950-5LG01	A1HT1	2BB	7ME3950-5LB11	A1	6BB	7ME3950-5LB01	A2
1BC	7ME3950-5LH01	A2HT1	2BC	7ME3950-5LB01	A2	6BC	7ME3950-5LB01	A2
1BD	7ME3950-5LB11	A1	2BD	7ME3950-5LB11	A1	6BD	7ME3950-5LB01	A2
1BE	7ME3950-5LB01	A2	2BE	7ME3950-5LB01	A2	6BE	7ME3950-5LB01	A2
1BF	7ME3950-5LB11	A1	2BF	7ME3950-5LB11	A1	6BF	7ME3950-5LB01	A2
1CB	7ME3950-5LG01	A1HT1	2CB	7ME3950-5LB11	A1	6CB	7ME3950-5LB01	A2
1CC	7ME3950-5LH01	A2HT1	2CC	7ME3950-5LB01	A2	6CC	7ME3950-5LB01	A2
1CD	7ME3950-5LJ01	A3HT1	2CD	7ME3950-5LB11	A1	6CD	7ME3950-5LB01	A2
1CE	7ME3950-5GK01	B1HT1	2CE	7ME3950-5GK21	B1HT2	6CE	7ME3950-5LB01	A2
1CF	7ME3950-5LB11	A1	2CF	7ME3950-5LB11	A1	6CF	7ME3950-5LB01	A2
1CG	7ME3950-5LB11	A1	2CG	7ME3950-5LB11	A1	6CG	7ME3950-5LB01	A2
1DB	7ME3950-5LG01	A1HT1	2DB	7ME3950-5LC11	B1	6DC	7ME3950-5LC01	B3
1DC	7ME3950-5LH01	A2HT1	2DC	7ME3950-5LC21	B2	6DD	7ME3950-5LC01	B3
1DD	7ME3950-5LJ01	A3HT1	2DD	7ME3950-5LC11	B1	6DE	7ME3950-5LC01	B3
1DE	7ME3950-5GK01	B1HT1	2DE	7ME3950-5GK21	B1HT2	6DF	7ME3950-5LC01	B3
1DF	7ME3950-5GL01	B2HT1	2DF	7ME3950-5GL21	B2HT2	6DG	7ME3950-5LC01	B3
1DG	7ME3950-5LC01	B3	2DG	7ME3950-5LC01	B3	6DH	7ME3950-5LC01	B3
1DH	7ME3950-5LC21	B2	2DH	7ME3950-5LC21	B2	6EC	7ME3950-5LC01	B3
1EB	7ME3950-5LG01	A1HT1	2EB	7ME3950-5LC11	B1	6ED	7ME3950-5LC01	B3
1EC	7ME3950-5LH01	A2HT1	2EC	7ME3950-5LC21	B2	6EE	7ME3950-5LC01	B3
1ED	7ME3950-5LJ01	A3HT1	2ED	7ME3950-5LC11	B1	6EF	7ME3950-5LC01	B3
1EE	7ME3950-5GK01	B1HT1	2EE	7ME3950-5GK21	B1HT2	6EG	7ME3950-5LC01	B3
1EF	7ME3950-5GL01	B2HT1	2EF	7ME3950-5GL21	B2HT2	6EH	7ME3950-5LC01	B3
1EG	7ME3950-5GM00	C1HT1	2EG	7ME3950-5GM20	C1HT2	6EJ	7ME3950-5LC01	B3
1EH	7ME3950-5GN00	C2HT1	2EH	7ME3950-5GN20	C2HT2	6EK	7ME3950-5LC01	B3
1EJ	7ME3950-5LC01	B3	2EJ	7ME3950-5LC01	B3	6FE	7ME3950-5LD00	C3
1EK	7ME3950-5LC01	B3	2EK	7ME3950-5LC01	B3	6FF	7ME3950-5LD00	C3
1FC	7ME3950-5LH01	A2HT1	2FC	7ME3950-5LD10	C1	6FG	7ME3950-5LD00	C3
1FD	7ME3950-5LJ01	A3HT1	2FD	7ME3950-5LD10	C1	6FH	7ME3950-5LD00	C3
1FE	7ME3950-5GK01	B1HT1	2FE	7ME3950-5GK21	B1HT2	6FJ	7ME3950-5LD00	C3
1FF	7ME3950-5GL01	B2HT1	2FF	7ME3950-5GL21	B2HT2	6FK	7ME3950-5LD00	C3
1FG	7ME3950-5GM00	C1HT1	2FG	7ME3950-5GM20	C1HT2	6GF	7ME3950-5LD00	C3
1FH	7ME3950-5GN00	C2HT1	2FH	7ME3950-5GN20	C2HT2	6GG	7ME3950-5LD00	C3
1FJ	7ME3950-5GP00	D1HT1	2FJ	7ME3950-5GP20	D1HT2	6GH	7ME3950-5LD00	C3
1FK	7ME3950-5LD10	C1	2FK	7ME3950-5LD10	C1	6GJ	7ME3950-5LD00	C3
1GD	7ME3950-5LJ01	A3HT1	2GD	7ME3950-5LD10	C1	6GK	7ME3950-5LD00	C3
1GE	7ME3950-5GK01	B1HT1	2GE	7ME3950-5GK21	B1HT2	6GL	7ME3950-5LD00	C3
1GF	7ME3950-5GL01	B2HT1	2GF	7ME3950-5GL21	B2HT2	6HG	7ME3950-5LE00	D3
1GG	7ME3950-5GM00	C1HT1	2GG	7ME3950-5GM20	C1HT2	6HH	7ME3950-5LE00	D3
1GH	7ME3950-5GN00	C2HT1	2GH	7ME3950-5GN20	C2HT2	6HJ	7ME3950-5LE00	D3
1GJ	7ME3950-5GP00	D1HT1	2GJ	7ME3950-5GP20	D1HT2	6HK	7ME3950-5LE00	D3
1GK	7ME3950-5GQ00	D2HT1	2GK	7ME3950-5GQ20	D2HT2	6HL	7ME3950-5LE00	D3
1GL	7ME3950-5LD00	C3	2GL	7ME3950-5LD00	C3	6HM	7ME3950-5LE00	D3
1HE	7ME3950-5GK01	B1HT1	2HE	7ME3950-5GK21	B1HT2	6JJ	7ME3950-5LE00	D3
1HF	7ME3950-5GL01	B2HT1	2HF	7ME3950-5GL21	B2HT2	6JK	7ME3950-5LE00	D3
1HG	7ME3950-5GM00	C1HT1	2HG	7ME3950-5GM20	C1HT2	6JL	7ME3950-5LE00	D3
1HH	7ME3950-5GN00	C2HT1	2HH	7ME3950-5GN20	C2HT2	6JM	7ME3950-5LE00	D3
1HJ	7ME3950-5GP00	D1HT1	2HJ	7ME3950-5GP20	D1HT2	6KK	7ME3950-5LF00	E2
1HK	7ME3950-5GQ00	D2HT1	2HK	7ME3950-5GQ20	D2HT2	6KL	7ME3950-5LF00	E2
1HL	7ME3950-5GR00	D4HT1	2HL	7ME3950-5GR20	D4HT2	6KM	7ME3950-5LF00	E2
1JG	7ME3950-5GM00	C1HT1	2JG	7ME3950-5GM20	C1HT2	6LM	7ME3950-5LF00	E2
1JH	7ME3950-5GN00	C2HT1	2JH	7ME3950-5GN20	C2HT2			
1JJ	7ME3950-5GP00	D1HT1	2JJ	7ME3950-5GP20	D1HT2			
1JK	7ME3950-5GQ00	D2HT1	2JK	7ME3950-5GQ20	D2HT2			
1JL	7ME3950-5GR00	D4HT1	2JL	7ME3950-5GR20	D4HT2			
1KH	7ME3950-5GN00	C2HT1	2KH	7ME3950-5GN20	C2HT2			
1KJ	7ME3950-5GP00	D1HT1	2KJ	7ME3950-5GP20	D1HT2			
1KK	7ME3950-5GQ00	D2HT1	2KK	7ME3950-5GQ20	D2HT2			
1KL	7ME3950-5GR00	D4HT1	2KL	7ME3950-5GR20	D4HT2			
1LJ	7ME3950-5GP00	D1HT1	2LJ	7ME3950-5GP20	D1HT2			
1LK	7ME3950-5GQ00	D2HT1	2LK	7ME3950-5GQ20	D2HT2			
1LL	7ME3950-5GR00	D4HT1	2LL	7ME3950-5GR20	D4HT2			

Selection and ordering data (continued)

Other (Univ)			Other (VH)		
Data place 8,9,10 of 7ME372-... combination	Sensor part number	Sensor Size Code	Data place 8,9,10 of 7ME372-... combination	Sensor part number	Sensor Size Code
7BB	7ME3950-5LB01	A2	8BB	7ME3950-5LA13	1
7BC	7ME3950-5LB01	A2	8BC	7ME3950-5LA13	1
7BD	7ME3950-5LB01	A2	8BD	7ME3950-5LA13	1
7BE	7ME3950-5LB01	A2	8BE	7ME3950-5LA13	1
7BF	7ME3950-5LB01	A2	8BF	7ME3950-5LA13	1
7CB	7ME3950-5LB01	A2	8CB	7ME3950-5LA13	1
7CC	7ME3950-5LB01	A2	8CC	7ME3950-5LA13	1
7CD	7ME3950-5LB01	A2	8CD	7ME3950-5LA13	1
7CE	7ME3950-5LB01	A2	8CE	7ME3950-5LA13	1
7CF	7ME3950-5LB01	A2	8CF	7ME3950-5LA13	1
7CG	7ME3950-5LB01	A2	8CG	7ME3950-5LA13	1
7DB	7ME3950-5LC01	B3	8DB	7ME3950-5LA13	1
7DC	7ME3950-5LC01	B3	8DC	7ME3950-5LA13	1
7DD	7ME3950-5LC01	B3	8DD	7ME3950-5LA13	1
7DE	7ME3950-5LC01	B3	8DE	7ME3950-5LA13	1
7DF	7ME3950-5LC01	B3	8DF	7ME3950-5LA13	1
7DG	7ME3950-5LC01	B3	8DG	7ME3950-5LA13	1
7DH	7ME3950-5LC01	B3	8DH	7ME3950-5LA13	1
7EB	7ME3950-5LC01	B3	8EB	7ME3950-5LA13	1
7EC	7ME3950-5LC01	B3	8EC	7ME3950-5LA13	1
7ED	7ME3950-5LC01	B3	8ED	7ME3950-5LA13	1
7EE	7ME3950-5LC01	B3	8EE	7ME3950-5LA13	1
7EF	7ME3950-5LC01	B3	8EF	7ME3950-5LA13	1
7EG	7ME3950-5LC01	B3	8EG	7ME3950-5LA13	1
7EH	7ME3950-5LC01	B3	8EH	7ME3950-5LA13	1
7EJ	7ME3950-5LC01	B3	8EJ	7ME3950-5LA13	1
7EK	7ME3950-5LC01	B3	8EK	7ME3950-5LA13	1
7FC	7ME3950-5LD00	C3	8FC	7ME3950-5LA23	2
7FD	7ME3950-5LD00	C3	8FD	7ME3950-5LA23	2
7FE	7ME3950-5LD00	C3	8FE	7ME3950-5LA23	2
7FF	7ME3950-5LD00	C3	8FF	7ME3950-5LA23	2
7FG	7ME3950-5LD00	C3	8FG	7ME3950-5LA23	2
7FH	7ME3950-5LD00	C3	8FH	7ME3950-5LA23	2
7FJ	7ME3950-5LD00	C3	8FJ	7ME3950-5LA23	2
7FK	7ME3950-5LD00	C3	8FK	7ME3950-5LA23	2
7GD	7ME3950-5LD00	C3	8GD	7ME3950-5LA23	2
7GE	7ME3950-5LD00	C3	8GE	7ME3950-5LA23	2
7GF	7ME3950-5LD00	C3	8GF	7ME3950-5LA23	2
7GG	7ME3950-5LD00	C3	8GG	7ME3950-5LA23	2
7GH	7ME3950-5LD00	C3	8GH	7ME3950-5LA23	2
7GJ	7ME3950-5LD00	C3	8GJ	7ME3950-5LA23	2
7GK	7ME3950-5LD00	C3	8GK	7ME3950-5LA23	2
7GL	7ME3950-5LD00	C3	8GL	7ME3950-5LA23	2
7HE	7ME3950-5LE00	D3	8HE	7ME3950-5LA43	3
7HF	7ME3950-5LE00	D3	8HF	7ME3950-5LA43	3
7HG	7ME3950-5LE00	D3	8HG	7ME3950-5LA43	3
7HH	7ME3950-5LE00	D3	8HH	7ME3950-5LA43	3
7HJ	7ME3950-5LE00	D3	8HJ	7ME3950-5LA43	3
7HK	7ME3950-5LE00	D3	8HK	7ME3950-5LA43	3
7HL	7ME3950-5LE00	D3	8HL	7ME3950-5LA43	3
7HM	7ME3950-5LE00	D3	8HM	7ME3950-5LA43	3
7JG	7ME3950-5LE00	D3	8JG	7ME3950-5LA43	3
7JH	7ME3950-5LE00	D3	8JH	7ME3950-5LA43	3
7JJ	7ME3950-5LE00	D3	8JJ	7ME3950-5LA43	3
7JK	7ME3950-5LE00	D3	8JK	7ME3950-5LA43	3
7JL	7ME3950-5LE00	D3	8JL	7ME3950-5LA43	3
7JM	7ME3950-5LE00	D3	8JM	7ME3950-5LA43	3
7KH	7ME3950-5LF00	E2	8KH	7ME3950-5LA73	4
7KJ	7ME3950-5LF00	E2	8KJ	7ME3950-5LA73	4
7KK	7ME3950-5LF00	E2	8KK	7ME3950-5LA73	4
7KL	7ME3950-5LF00	E2	8KL	7ME3950-5LA73	4
7KM	7ME3950-5LF00	E2	8KM	7ME3950-5LA73	4
7LJ	7ME3950-5LF00	E2	8LJ	7ME3950-5LA73	4
7LK	7ME3950-5LF00	E2	8LK	7ME3950-5LA73	4
7LL	7ME3950-5LF00	E2	8LL	7ME3950-5LA73	4
7LM	7ME3950-5LF00	E2	8LM	7ME3950-5LA73	4

Flow Measurement

SITRANS FS (ultrasonic)

Clamp-on ultrasonic flowmeters

Selection and ordering data for SITRANS FS230

Selection and ordering data

Article No.

Spare parts (system)

SITRANS FS230

IP65/IP66 (Nema 4X)

7ME3950-

[↗](#) Click on the Article No. for the online configuration in the PIA Life Cycle Portal.

Approvals

All, FM/FMc, ATEX, IECEX - Flow sensors

5

All, FM/FMc, ATEX, IECEX - Temperature sensors

1

Spare sensor code

For liquid flow sensors pipe ranges please refer to catalog sensor selection chart in the FSS200 section

Flow sensors for use with mounting frames or tracks

Suitable for pipes other than steel or stainless steel.

Temperature -40 ... +121 °C (-40 ... +250 °F)

• A1 Universal	5 L B 1 1
• A2 Universal	5 L B 0 1
• B1 Universal	5 L C 1 1
• B2 Universal	5 L C 2 1
• B3 Universal	5 L C 0 1
• C1 Universal	5 L D 1 0
• C2 Universal	5 L D 2 0
• C3 Universal	5 L D 0 0
• D1 Universal	5 L E 1 0
• D2 Universal	5 L E 2 0
• D3 Universal	5 L E 0 0
• E1 Universal	5 L F 1 0
• E2 Universal	5 L F 0 0
• E3 Universal	5 L F 2 0

Gas and liquid sensors for use with mounting frames or tracks

Suitable for steel or stainless steel pipes

Temperature T1

• A1H high precision	5 L G 0 1
• A2H high precision	5 L H 0 1
• A3H high precision	5 L J 0 1
• B1H high precision	5 G K 0 1
• B2H high precision	5 G L 0 1
• B3H high precision	5 G t 0 1
• C1H high precision	5 G M 0 0
• C2H high precision	5 G N 0 0
• D1H high precision	5 G P 0 0
• D2H high precision	5 G Q 0 0
• D3H high precision	5 G U 0 0
• D4H high precision	5 G R 0 0

Article No.

Spare parts (system)

SITRANS FS230

IP65/IP66 (Nema 4X)

7ME3950-

Temperature T2

• A1H high precision	5 L G 2 1
• A2H high precision	5 L H 2 1
• A3H high precision	5 L J 2 1
• B1H high precision	5 G K 2 1
• B2H high precision	5 G L 2 1
• B3H high precision	5 G t 2 1
• C1H high precision	5 G M 2 0
• C2H high precision	5 G N 2 0
• D1H high precision	5 G P 2 0
• D2H high precision	5 G Q 2 0
• D3H high precision	5 G U 2 0
• D4H high precision	5 G R 2 0

High temperature universal liquid sensors

Very high temperature up to 230 °C (446 °F)

• Size 1 (Ø 12.7 ... 100 mm (0.47 ... 3.94"))	5 L A 1 3
• Size 2 (Ø 30 ... 200 mm (1.18 ... 7.87"))	5 L A 2 3
• Size 2A (Ø 30 ... 200 mm (1.18 ... 7.87"))	5 L A 3 3
• Size 3 (Ø 150 ... 610 mm (5.9 ... 24.0"))	5 L A 4 3
• Size 3A (Ø 150 ... 610 mm (5.9 ... 24.0"))	5 L A 6 3
• Size 4 (Ø 400 ... 1200 mm (16.75 ... 47.24"))	5 L A 7 3
• Size 4A (Ø 400 ... 1200 mm (16.75 ... 47.24"))	5 L A 8 3

Standard RTD temperature sensors

Standard clamp-on RTD

1 T A 0 0

Submersible clamp-on RTD

1 T B 0 0

Insertion style RTD (size 1), 140 mm (5.5")

1 T J 0 0

Insertion style RTD (size 2), 216 mm (8.5")

1 T J 0 1

Insertion style RTD (size 3), 292 mm (11.5")

1 T J 0 2

Insertion style RTD (size 4), 368 mm (14.5")

1 T J 0 3

Selection and ordering data	Article No.	Article No.
<i>Spare parts (Miscellaneous)</i>		<i>Spare parts (Miscellaneous)</i>
SITRANS FS Clamp-on	7ME3960-	SITRANS FS Clamp-on
➤ Click on the Article No. for the online configuration in the PIA Life Cycle Portal.		7ME3960-
FS230 dedicated sensor mounting hardware		Sensor mounting tracks (aluminum with mounting straps) for pipes < 125 mm (5 inch)
Sensor mounting frames for		Universal sensor size A or B
• Universal sensor size B (for pipes > 125 mm (5 inch))	CQO:1012FN-PB	High precision sensor size A or B
• Universal sensor size C	0 M C 0 0	
• Universal sensor size D	0 M C 0 1	0 M A 0 0
• Universal sensor size E	0 M C 0 1	0 M B 0 0
• High precision sensor size B (For pipes > 125 mm (5 inch))	CQO:1012FNH-PB	
• High precision sensor size C	0 M D 0 0	Stainless mounting tracks for high temperature 991 sensors
• High precision sensor size D	0 M D 0 1	Size 1 high temperature sensor pair
• Magnetic mounting frames for size C, D, E, universal and high precision sensors	0 M D 0 2	Size 2 high temperature sensor pair
		Size 3 high temperature sensor pair
		Size 4 high temperature sensor pair
Spacer bars (for indexing sensors on pipe)		Clamp-on RTD mounting hardware for dedicated systems
Spacer bar for pipes to 200 mm/8 inch (liquid), 600 mm/24 inch (gas)	0 M S 1 0	RTD mounting hardware for dedicated system
Spacer bar for pipes to 500 mm/20 inch (liquid), DN 1200/48 inch (gas)	0 M S 2 0	• 1152 ... 610 mm (6 ... 24")
Spacer bar for pipes to 800 mm/32 inch (liquid)	0 M S 3 0	• 12.7 ... 50.8 mm (0.5 ... 2")
Spacer bar for pipes to 1200 mm/48 inch (liquid). Must be used with 7ME39600SM30	0 M S 4 0	• 31.8 ... 203.2 mm (1.25 ... 8")
		• 508 ... 1219 mm (20 ... 48")
		Junction box for clamp on RTD's
Mounting straps (slotted stainless steel)		Insert RTD thermowells
For pipes		Thermowell standard duty
DN 50 ... DN 150	0 S M 0 0	• Uninsulated pipe 140 mm (5.5")
DN 50 ... DN 300	0 S M 1 0	• Uninsulated pipe 216 mm (8.5")
DN 300 ... DN 600	0 S M 2 0	• Uninsulated pipe: 292 mm (11.5")
DN 600 ... DN 1200	0 S M 3 0	• With lagging 140 mm (5.5")
DN 1200 ... DN 1500	0 S M 4 0	• With lagging 216 mm (8.5")
DN 1500 ... DN 2100	0 S M 5 0	• With lagging 292 mm (11.5")
DN 2100 ... DN 3000	0 S M 6 0	Sensor cables
		Coax (CE mark)
High precision mounting enclosures for sensors		• 10 m (32.8 ft) armored sensor cable pair with nickel plated brass glands
Stainless steel mounts for high precision size "C" sensors, single enclosure	0 W S 5 0	• 20 m (65.6 ft) armored sensor cable pair with nickel plated brass glands
Stainless steel mounts for high precision size "D/E" sensors, single enclosure	0 W S 6 0	• 10 m (32.8 ft) standard/submersible Coax sensor cable pair with Nylon glands
Stainless steel mounts for high precision size "C" sensors, dual enclosure	0 W D 5 0	• 20 m (65.6 ft) standard/submersible Coax sensor cable pair with Nylon glands
Stainless steel mounts for high precision size "D/E" sensors, dual enclosure	0 W D 6 0	• 10 m (32.8 ft) standard/submersible Coax sensor cable pair with nickel plated brass glands
		• 20 m (65.6 ft) standard/submersible Coax sensor cable pair with nickel plated brass glands
Stainless steel bands for high precision mounting enclosures		• 10 m (32.8 ft) standard/submersible Coax sensor cable pair with stainless steel glands
Mounting strap for pipe diameter to		• 20 m (65.6 ft) standard/submersible Coax sensor cable pair with stainless steel glands
• 300 mm (13")	0 S M 0 1	• 20 m (65.6 ft) plenum rated Coax sensor cable pair with Nylon glands
• 600 mm (24")	0 S M 1 1	• 20 m (65.6 ft) plenum rated Coax sensor cable pair with nickel plated brass glands
• 1200 mm (48")	0 S M 2 1	• 20 m (65.6 ft) plenum rated Coax sensor cable pair with stainless steel glands
• 1500 mm (60")	0 S M 3 1	
• 2130 mm (84")	0 S M 4 1	ADAPTER, MTG STRAP, TEMP COMP
• 3050 mm (120")	0 S M 5 1	CQO-1012WSM-A2
• 5486 mm (216")	0 S M 6 1	

Flow Measurement

SITRANS FS (ultrasonic)

Clamp-on ultrasonic flowmeters

Selection and ordering data for SITRANS FS230

Selection and ordering data	Article No.	Selection and ordering data	Article No.
<i>Spare parts (Miscellaneous)</i>		<i>Spare parts (Miscellaneous)</i>	
SITRANS FS Clamp-on	7ME3960-■ ■ ■ ■ ■	SITRANS FS Clamp-on	7ME3960-■ ■ ■ ■ ■
Cable glands and adapters		Pipe damping films	
Cable gland set M20, nylon	A5E38145321	B1, B2, B3, C1 and C2 sensors	0 D M 1 0
Cable gland set M20, nickel/brass	A5E38145323	D1 and D3 sensors	0 D M 2 0
Cable gland set M20, stainless steel	A5E38145327	D2 sensor	0 D M 3 0
Iris glands, set of 2, nickel plated brass	A5E38635890	D4 sensor	0 D M 4 0
Iris glands, set of 2, stainless steel	A5E38635986	Universal sensor test blocks	
M20xNPT adapters, set of 8, brass/nickel	A5E38145635	Test block for size A and B universal sensors	0 T B 1 0
M20xNPT adapters, set of 8, brass/nickel, Ex	A5E38309159	Test block for size C and D universal sensors	0 T B 2 0
M20xNPT adapters, set of 8, stainless steel	A5E38145643	Thickness gauge	
RTD temperature sensor cables		Stand alone thickness gauge	7ME39510TG20
6 m (20 ft) standard RTD cable	0 C R 5 0	Cable, DSL to wallbox transmitter	
15 m (50 ft) standard RTD cable	0 C R 5 1	Standard cable (non-Ex) with 2 x M12 connectors, PO insulation and PUR sleeve, gray, -40 ... +80 °C (-40 ... +176 °F)	
30 m (100 ft) standard RTD cable	0 C R 5 2	• 5 m (16.4 ft)	A5E03914805
46 m (150 ft) standard RTD cable	0 C R 5 3	• 10 m (32.8 ft)	A5E03914850
61 m (200 ft) standard RTD cable	0 C R 5 4	• 25 m (82 ft)	A5E03914853
91 m (300 ft) standard RTD cable	0 C R 5 5	• 50 m (164 ft)	A5E03914859
6 m (20 ft) submersible RTD cable	0 C R 5 6	• 75 m (246 ft)	A5E03914861
15 m (50 ft) submersible RTD cable	0 C R 5 7	• 150 m (492 ft)	A5E03914874
30 m (100 ft) submersible RTD cable	0 C R 5 8	Standard cable (non-Ex) for termination, PO insulation and PUR sleeve, gray, -40 ... +80 °C (-40 ... +176 °F)	
46 m (150 ft) submersible RTD cable	0 C R 5 9	• 5 m (16.4 ft)	A5E03914833
61 m (200 ft) submersible RTD cable	0 C R 6 0	• 10 m (32.8 ft)	A5E03914849
91 m (300 ft) submersible RTD cable	0 C R 6 1	• 25 m (82 ft)	A5E03914854
Dedicated cable termination kits for:		• 50 m (164 ft)	A5E03914856
Standard, plenum sensor cable (Nema 4X and Nema 7 wall)	0 C T 0 1	• 75 m (246 ft)	A5E03914864
Submersible sensor cable (Nema 4X and Nema 7 wall)	0 C T 1 1	• 150 m (492 ft)	A5E03914873
Clamp-on RTD cable termination kit for standard RTD	0 C T 2 1	Standard cable (Ex) with 2 x M12 connectors, PO insulation and PUR sleeve, blue, -40 ... +80 °C (-40 ... +176 °F)	
Clamp-on RTD cable termination kit for submersible RTD	0 C T 3 1	• 5 m (16.4 ft)	A5E03914929
Insert RTD cable termination kit	0 C T 4 1	• 10 m (32.8 ft)	A5E03914962
Termination kit for armored cable	CQO:1012CNFX-TK	• 25 m (82 ft)	A5E03914995
Ultrasonic couplants		• 50 m (164 ft)	A5E03915004
Temporary water based for portable systems: 350 ml (12 oz): -34 ... +38 °C (-30 ... +100 °F)	0 U C 1 0	• 75 m (246 ft)	A5E03915074
Permanent synthetic polymer based: 90 ml (3 oz) -40 ... +190 °C (-40 ... +375 °F)	0 U C 2 0	• 150 m (492 ft)	A5E03915088
Permanent high temperature fluoroether: 163 ml (5.5 oz): -40 ... +230 °C (-40 ... +450 °F)	0 U C 3 2	Standard cable (Ex) for termination, PO insulation and PUR sleeve, blue, -40 ... +80 °C (-40 ... +176 °F)	
Dry coupling pad kit (10 pieces)	0 U C 4 0	• 5 m (16.4 ft)	A5E03914945
Permanent vulcanizing silicone rubber couplant: 90 ml (3 oz): -40...+120C (-40...+250 °F)	CQO:CC112	• 10 m (32.8 ft)	A5E03914973
Permanent high temperature silicone grease: 12 ml (0.4 oz): -40 ... +230 °C (-40 ... +450 °F)	CQO:CC117B	• 25 m (82 ft)	A5E03914984
Permanent high temperature silicone grease: 150 ml (5 oz): -40 ... +230 °C (-40 ... +450 °F)	CQO:CC117A	• 50 m (164 ft)	A5E03915015
Couplant for submersible sensor applications	CQO:CC120	• 75 m (246 ft)	A5E03915057
		• 150 m (492 ft)	A5E03915100