

## Overview



SITRANS LPS200 is a rotary paddle switch for point level and material detection in bulk solids.

## Benefits

- Proven paddle switch technology for bulk solids
- High integrity mechanical seal
- Universal power supply options available
- Unique friction clutch mechanism prevents damage from falling material
- Rotatable enclosure for convenient wiring
- Optional paddles for use with low density materials
- Small paddle makes for simple installation through existing process connection
- High temperature model and optional extension kit available
- Optional fail-safe configuration detects loss of rotation
- Functional Safety (SIL 2). Device suitable for use in accordance with IEC 61508 and IEC 61511

## Application

The paddle switch technology detects full, empty, or demand conditions on materials such as grain, feed, cement, plastic granulate, and wood chips. The paddle switch can handle bulk densities as low as 15.06 g/l (0.94 lb/ft<sup>3</sup>) with the optional rectangular vane or 100 g/l (6.25 lb/ft<sup>3</sup>) with the standard measuring vane.

A low revolution geared motor with slip clutch drives a rotating measuring vane which senses the presence of material at the mounted level of the LPS200. As material comes into contact with the rotating paddle, rotation stops, which changes the microswitch state. When the paddle is no longer covered by material, rotation resumes and the relay reverts to its normal condition.

The LPS200 has a rugged design for use in harsh conditions in the solids industry. The sensitivity of the paddle can be adjusted for varying material properties like buildup on the vane.

The LPS200 comes in a variety of configurations including compact, extended and cable extension. It is equipped with a standard vane which is effective in most applications, but can be configured with a hinged or rectangular vane for increased sensitivity for light materials.

- Key Applications: bulk solids such as grain, feed, cement, plastic granulate, wood chips

## Technical specifications

<b>Mode of operation</b>	
Measuring principle	Rotating point level switch
<b>Input</b>	
Measured variable	High and low and demand
<b>Output</b>	
Output signal	Microswitch 5 A at 250 V AC, non-inductive Microswitch SPDT contact 4 A at 30 V DC, non-inductive
• Alarm output	
• Pickup delay	
	Standard (1 rpm model): approx. 1.3 seconds Optional process applications (5 rpm model): approx. 0.26 seconds
<b>Sensitivity</b>	
	Adjustable via reset force of spring or geometry of measuring vane
<b>Rated operating conditions</b>	
Installation conditions	Indoor/outdoor
• Location	
Ambient conditions	
• Ambient temperature	
• Storage temperature	-25 ... +60 °C (-13 ... +140 °F)
• Installation category	-40 ... +80 °C (-40 ... +176 °F)
• Pollution degree	III
Medium conditions	2
• Temperature	Bulk solids
- Standard	-25 ... +80 °C (-13 ... +176 °F)
- Optional	-25 ... +600 °C (-13 ... +1 112 °F)
	Higher temperature version is available. Consult a local sales person for details. For more information, please visit <a href="http://www.automation.siemens.com/aspa_app">http://www.automation.siemens.com/aspa_app</a> .
• Pressure (vessel)	
- Standard	Max. 0.5 bar g (7.25 psi g)
- Optional	Max. 10 bar g (145 psi g)
• Minimum material density	
- Standard measuring vane	Can detect down to 100 g/l (6.25 lb/ft <sup>3</sup> )
- Optional measuring vane	Can detect down to 15.06 g/l (0.94 lb/ft <sup>3</sup> )
<b>Design</b>	
Material	Epoxy coated aluminum Stainless steel or aluminum
• Enclosure	
• Process connection, measuring shaft and vane	
Process connection	Thread NPT, BSP, and flange options
Degree of protection	IP65/Type 4/NEMA 4
Conduit entry	2 x M20 x 1.5 or 2 x ½" NPT (For FM and CSA approved versions only)
<b>Power supply</b>	
AC or DC versions	115 V AC, ± 15 %, 50 ... 60 Hz, 4 VA or 230 V AC, ± 15 %, 50 Hz, 6 VA, or 48 V AC, or 24 V AC, or 24 V DC, ± 15 %, 2.5 W
Universal voltage (DPDT replay)	24 V DC ± 15 % 50 ... 60 Hz, 22 ... 230 V AC, ± 10 %, max. 10 VA
<b>Certificates and approvals</b>	
	<ul style="list-style-type: none"> <li>• CSA/FM General Purpose</li> <li>• CE</li> <li>• CSA/FM Dust Ignition Proof</li> <li>• ATEX II 1/2 D</li> <li>• RCM</li> <li>• IECex</li> </ul>

## Level measurement

Point level measurement

Rotation paddle switches

### SITRANS LPS200

#### Selection and ordering data

#### Article No.

#### Article No.

##### SITRANS LPS200 Rotary paddle point level switch, compact design

7ML5725-  
Ord. code

Level detection in solids. Compact, side or top mount with extension options to 300 mm (11.81 inch).

➤ Click on the Article No. for the online configuration in the PIA Life Cycle Portal.

##### Process temperature

Up to 80 °C (176 °F)  
Up to 150 °C (302 °F)  
Up to 250 °C (482 °F)  
Up to 600 °C (1 112 °F)<sup>1)2)</sup>  
Up to 80 °C (176 °F) basic version aluminum<sup>1)3)</sup>  
Up to 80 °C (176 °F) basic version stainless steel<sup>1)4)</sup>

1  
2  
3  
4  
5  
6

##### Power supply

230 V AC, 1 rev/min.  
230 V AC, 5 rev/min.  
115 V AC, 1 rev/min.  
115 V AC, 5 rev/min.  
48 V AC, 1 rev/min.  
24 V AC, 1 rev/min.  
24 V DC, 1 rev/min.  
24 V DC, 5 rev/min.  
48 V AC, 5 rev/min.  
24 V AC, 5 rev/min.  
Universal Voltage, 1 rev/min.  
Universal Voltage, 1 rev/min., fail-safe  
Universal Voltage, 5 rev/min.  
Universal Voltage, 5 rev/min. fail-safe

A  
C  
E  
G  
J  
K  
L  
N  
Z  
Z  
Z  
Z  
Z  
Z  
Z

J 1 B  
J 1 E  
J 2 A  
J 2 B  
J 2 C  
J 2 D

##### Process connection

###### Threaded

G 1¼" [(BSPP), EN ISO 228-1]  
G 1" [(BSPP), EN ISO 228-1]  
G 1½" [(BSPP), EN ISO 228-1]  
1" NPT [(Taper), ANSI/ASME B1.20.1]  
1¼" NPT [(Taper), ANSI/ASME B1.20.1]  
1½" NPT [(Taper), ANSI/ASME B1.20.1]

A  
B  
C  
D  
E  
F

###### Flanged

DN 32 PN 6, EN 1092-1, flat face<sup>5)</sup>  
DN 100 PN 6, EN 1092-1, flat face<sup>5)</sup>  
DN 100 PN 16, EN 1092-1, flat face  
2" ASME 150 lb B16.5, raised face  
3" ASME 150 lb B16.5, raised face  
4" ASME 150 lb B16.5, raised face  
2" Tri-clamp (DN 50) ISO 2852<sup>6)</sup>

G  
H  
J  
K  
L  
M  
N

##### SITRANS LPS200 Rotary paddle point level switch, compact design

7ML5725-  
Ord. code

Level detection in solids. Compact, side or top mount with extension options to 300 mm (11.81 inch).

##### Process pressure

Up to 0.5 bar (7.25 psi)  
Up to 5 bar (72.5 psi)  
Up to 10 bar (145 psi)

1  
2  
3

##### Process connection material

Aluminum<sup>7)</sup>  
Stainless steel, threads 303 (1.4305), flanges 321 (1.4541), Tri-clamp 304 (1.4301)  
Stainless steel 316L (1.4404)<sup>8)</sup>

1  
2  
3

##### Extension length

100 mm (3.94 inch)<sup>9)</sup>  
150 mm (5.91 inch)  
200 mm (7.87 inch)  
250 mm (9.84 inch)  
300 mm (11.81 inch)

1  
2  
3  
4  
5

##### Measuring vane

Boot shaped, 35 x 106 mm (1.38 x 4.17 inch)<sup>10)</sup>  
Hinged vane, 65 x 200 mm (2.56 x 7.87 inch)<sup>10)11)</sup>  
Boot shaped, 28 x 98 mm (1.10 x 3.86 inch)  
Rectangular, 50 x 150 mm (1.97 x 5.91 inch)<sup>12)</sup>  
Rectangular, 50 x 250 mm (1.97 x 9.84 inch)<sup>12)</sup>  
Rectangular, 98 x 150 mm (3.86 x 5.91 inch)<sup>11)12)</sup>  
Rectangular, 98 x 250 mm (3.86 x 9.84 inch)<sup>11)12)</sup>  
Rectangular, 50 x 98 mm (1.97 x 3.86 inch)<sup>12)</sup>

A  
B  
C  
D  
E  
F  
G  
H

##### Approvals

CSA/FM Dust Ignition Proof, RCM  
ATEX II ½ D, RCM  
CSA/FM General Purpose, RCM, CE  
CE, RCM  
IEC Ex ta/tb IIIC  
EAC Ex ta/tb IIIC Da/Db

A  
B  
C  
D  
E  
F

4

Selection and ordering data	Order code	Article No.
<b>Further Designs</b>		
Please add "-Z" to Article No. and specify Order code(s).		
Heating of enclosure <sup>13)14)</sup>	<b>A35</b>	
Signal bulb inserted in M20 cable gland <sup>13)</sup>	<b>A20</b>	
Food grade materials (in contact with process), according to 1935/2004/EC, with FDA conform shaft sealing <sup>15)</sup>	<b>K01</b>	
Stainless steel tag [100 x 45 mm (3.94 x 1.77 inch)]: Measuring-point number/identification (max. 27 characters); specify in plain text	<b>Y14</b>	
Functional Safety (SIL 2). Device suitable for use in accordance with IEC 61508 and IEC 61511 <sup>17)18)</sup>	<b>C20</b>	
Factory test certificate - M to DIN 55350, Part 18	<b>C11</b>	
<b>Operating Instructions</b>		
All literature is available to download for free, in a range of languages, at		
<a href="http://www.siemens.com/processinstrumentation/documentation">http://www.siemens.com/processinstrumentation/documentation</a>		
<b>Spare Parts</b>		
Replacement vane, boot shape, 35 x 106 mm (1.38 x 4.17 inch)		<b>7ML1830-1KH</b>
Hinged vane, 98 x 200 mm (3.86 x 7.87 inch)		<b>7ML1830-1KJ</b>
<b>Rigid extension kit</b>		
(Includes spring coupling, rigid tube extension, and required pins)		
Extension: 500, 400, 300 mm (19.7, 15.8, 11.8 inch) <sup>16)</sup>		<b>7ML5711-0AA</b>
Extension: 1 000, 900, 800, 700, 600 mm (39.4, 35.4, 31.5, 27.6, 23.6 inch) <sup>16)</sup>		<b>7ML5711-1AA</b>
Extension: 1 500, 1 400, 1 300, 1 200, 1 100 mm (59.1, 55.1, 51.2, 47.2, 43.3 inch) <sup>16)</sup>		<b>7ML5711-2AA</b>
Rope extension kit, 2 m (6.56 ft)		<b>7ML1830-1KK</b>
SITRANS LPS200, compact for up to 80 °C (176 °F), aluminum, with power supply E, process connection E, process pressure 1, process connection material 1, extension length 2, measuring vane A, and approval C		<b>7ML5725-5EE11-2AC0</b>
SITRANS LPS200, compact for up to 80 °C (176 °F), stainless steel, with power supply Z (J2A), process connection C, process pressure 1, process connection material 2, extension length 2, measuring vane A, and approval B		<b>7ML5725-6ZC12-2AB0 J2A</b>
SITRANS LPS200, compact for up to 80 °C (176 °F), stainless steel, with power supply Z (J2A), process connection E, process pressure 1, process connection material 2, extension length 2, measuring vane A, and approval A		<b>7ML5725-6ZE12-2AA0 J2A</b>
<p>1) Available with approval options C and D only, up to 0.5 bar.</p> <p>2) Not available with process connections A, B, D, E, and G.</p> <p>3) Only available with the following configurations 7ML5725-5AC11-2AD0 or 7ML5725-5EE11-2AC0.</p> <p>4) Only available with the following configurations 7ML5725-6ZC12-2AB0 J2A or 7ML5725-6ZE12-2AA0 J2A.</p> <p>5) Available with process pressure options 1 and 2 only.</p> <p>6) Available with process temperature option 1 only.</p> <p>7) Available with process connection options A ... F only, process pressure option 1 and process temperature options 1 and 5 only.</p> <p>8) Available with process connection options C, F, H ... N and Measuring vane options A and B.</p> <p>9) Available with measuring vane options A, C, D, E, H only.</p> <p>10) Add 16 mm (0.63 inch) to extension length.</p> <p>11) Available with extension lengths 2, 3, 4, 5.</p> <p>12) Available with process connection options H ... M only.</p> <p>13) Available with approval option D only.</p> <p>14) Available only with Power supply options J2A, J2B, J2C, and J2D.</p> <p>15) Available up to 250 °C (482 °F). This option does not automatically implement a food conform design.</p> <p>16) Pendulum shaft 500 mm/1 000 mm/1 500 mm should be selected with 150 mm standard length 2 and vane A (35 x 106) to get to the desired lengths.</p> <p>17) Available with Power supply options J2A and J2C only.</p> <p>18) Available with Approval options A, B, C, D, and E only. Approvals A and C with FM only.</p>		

## Level measurement

Point level measurement

Rotation paddle switches

### SITRANS LPS200

#### Selection and ordering data

#### Article No.

#### Article No.

SITRANS LPS200 Rotary paddle point level switch, shaft protected design	7ML5726-	Ord. code
Level detection in aggressive solids. Compact, side or top mount, with enhanced shaft protection. Extension options to 300 mm (11.81 inch).		
Click on the Article No. for the online configuration in the PIA Life Cycle Portal.		
<b>Process temperature</b>		
Up to 80 °C (176 °F)	1	
Up to 150 °C (302 °F)	2	
Up to 250 °C (482 °F)	3	
Up to 600 °C (1 112 °F) <sup>1)2)</sup>	4	
Up to 80 °C (176 °F) basic version <sup>3)</sup>	5	
<b>Power supply</b>		
230 V AC, 1 rev/min.	A	
230 V AC, 5 rev/min.	C	
115 V AC, 1 rev/min.	E	
115 V AC, 5 rev/min.	G	
48 V AC, 1 rev/min.	J	
24 V AC, 1 rev/min.	K	
24 V DC, 1 rev/min.	L	
24 V DC, 5 rev/min.	N	
48 V AC, 5 rev/min.	Z	J 1 B
24 V AC, 5 rev/min.	Z	J 1 E
Universal voltage, 1 rev/min.	Z	J 2 A
Universal voltage, 1 rev/min., fail-safe	Z	J 2 B
Universal voltage, 5 rev/min.	Z	J 2 C
Universal voltage, 5 rev/min., fail-safe	Z	J 2 D
<b>Process connection</b>		
<b>Threaded</b>		
G 1¼" [(BSPP), EN ISO 228-1]	A	
G 1½" [(BSPP), EN ISO 228-1]	B	
1¼" NPT [(Taper), ANSI/ASME B1.20.1]	C	
1½" NPT [(Taper), ANSI/ASME B1.20.1]	D	
<b>Flanged</b>		
DN 32 PN 6, EN 1092-1, flat face <sup>4)</sup>	E	
DN 100 PN 6, EN 1092-1, flat face <sup>4)</sup>	F	
DN 100 PN 16, EN 1092-1, flat face	G	
2" ASME 150 lb B16.5, raised face	H	
3" ASME 150 lb B16.5, raised face	J	
4" ASME 150 lb B16.5, raised face	K	
2" Tri-clamp (DN 50) ISO 2852 <sup>5)</sup>	L	

SITRANS LPS200 Rotary paddle point level switch, shaft protected design	7ML5726-	Ord. code
Level detection in aggressive solids. Compact, side or top mount, with enhanced shaft protection. Extension options to 300 mm (11.81 inch).		
<b>Process pressure</b>		
Up to 0.5 bar (7.25 psi)	1	
Up to 5 bar (72.5 psi)	2	
Up to 10 bar (145 psi)	3	
<b>Process connection material</b>		
Aluminum <sup>6)</sup>	1	
Stainless steel, threads 303 (1.4305), flanges 321 (1.4541), Tri-clamp 304 (1.4301) <sup>8)</sup>	2	
Stainless steel 316L (1.4404) <sup>7)</sup>	3	
<b>Extension length</b>		
150 mm (5.91 inch) <sup>8)</sup>	1	
200 mm (7.87 inch)	2	
250 mm (9.84 inch)	3	
300 mm (11.81 inch)	4	
<b>Extension material (protection tube)</b>		
Aluminum <sup>9)</sup>		A
Stainless steel 303 (1.4305)		B
Stainless steel 316L (1.4404) <sup>10)</sup>		C
<b>Measuring vane</b>		
Boot shaped, 35 x 106 mm (1.38 x 4.17 inch) <sup>11)</sup>		A
Hinged vane, 65 x 200 mm (2.56 x 7.87 inch) <sup>11)12)</sup>		B
Rectangular, 50 x 150 mm (1.97 x 5.91 inch) <sup>13)</sup>		D
Rectangular, 50 x 250 mm (1.97 x 9.84 inch) <sup>13)</sup>		E
Rectangular, 98 x 150 mm (3.86 x 5.91 inch) <sup>12)13)</sup>		F
Rectangular, 98 x 250 mm (3.86 x 9.84 inch) <sup>12)13)</sup>		G
Rectangular, 50 x 98 mm (1.97 x 3.86 inch) <sup>13)</sup>		H
<b>Approvals</b>		
CSA/FM Dust Ignition Proof, RCM		1
ATEX II ½ D, RCM		2
CSA/FM General Purpose, RCM, CE		3
CE, RCM		4
IEC Ex ta/tb IIIC		5
EAC Ex ta/tb IIIC Da/Db		6

Selection and ordering data	Order code	Article No.
<b>Further Designs</b>		
Please add <b>"-Z"</b> to Article No. and specify Order code(s).		
Heating of enclosure <sup>14)15)</sup>	<b>A35</b>	
Signal bulb inserted in M20 cable gland <sup>14)</sup>	<b>A20</b>	
Food grade materials (in contact with process), according to 1935/2004/EC, with FDA conform shaft sealing <sup>16)</sup>	<b>K01</b>	
Stainless steel tag [100 x 45 mm (3.94 x 1.77 inch)]: Measuring-point number/identification (max. 27 characters); specify in plain text	<b>Y14</b>	
Functional Safety (SIL 2). Device suitable for use in accordance with IEC 61508 and IEC 61511. <sup>17)19)</sup>	<b>C20</b>	
Factory test certificate - M to DIN 55350, Part 18	<b>C11</b>	
<b>Operating Instructions</b>		
All literature is available to download for free, in a range of languages, at <a href="http://www.siemens.com/processinstrumentation/documentation">http://www.siemens.com/processinstrumentation/documentation</a>		
<b>Spare Parts</b>		
Replacement vane, boot shape, 35 x 106 mm (1.38 x 4.17 inch)		
Hinged vane, 98 x 200 mm (3.86 x 7.87 inch)		
SITRANS LPS200, extended for up to 80 °C (176 °F), power supply Z (J2A), process connection B, process pressure 1, process connection material 2, extension length 2, extension material B, measuring vane A, and approval 2		
SITRANS LPS200, extended for up to 80 °C (176 °F), power supply Z (J2A), process connection C, process pressure 1, process connection material 2, extension length 2, extension material B, measuring vane A, and approval 1		
<p>7ML1830-1KH</p> <p>7ML1830-1KJ</p> <p>7ML5726-5ZB12-2BA2 J2A</p> <p>7ML5726-5ZC12-2BA1 J2A</p> <p>1) Available with approval options 3 and 4 only and up to max 0.5 bar.</p> <p>2) Not available with process connection options A, C, E.</p> <p>3) Only available with the following configurations 7ML5726-5ZB12-2BA2 J2A or 7ML5726-5ZC12-2BA1 J2A.</p> <p>4) Available with process pressure options 1 and 2 only.</p> <p>5) Available with process temperature option 1 only.</p> <p>6) Available with process connection options A ... E only, available with process pressure option 1 only, and process temperature option 1 only.</p> <p>7) Extension and vane will also change to 316L, only for process connection options B, D, F ... L and vane A.</p> <p>8) Available with measuring vane options A, D, E, H only.</p> <p>9) Available with process pressure option 1 and process temperature option 1 only.</p> <p>10) Available with process connection options B, D, F ... L and vane A.</p> <p>11) Add 16 mm (0.63 inch) to extension length.</p> <p>12) Available with extension length options 2 ... 4 only.</p> <p>13) Available with process connection options F, G, H, J, K only.</p> <p>14) Available with approval option 4 only.</p> <p>15) Available only with Power supply options J2A, J2B, J2C, and J2D.</p> <p>16) Available up to 250 °C (482 °F). This option does not automatically implement a food conform design.</p> <p>17) Available with Power supply options J2A and J2C only.</p> <p>18) Available with Extension material Stainless steel, threads 303 option B only.</p> <p>19) Available with Approval options 1, 2, 3, 4, and 5 only. Approvals 1 and 3 with FM only.</p>		

## Level measurement

Point level measurement

Rotation paddle switches

### SITRANS LPS200

#### Selection and ordering data

Article No.

Article No.

##### SITRANS LPS200 Rotary paddle point level switch, cable extension design

7ML5727-

Ord.  
code

Level detection in solids. Top mount, with extension options to 10 m (32.80 ft).

➤ Click on the Article No. for the online configuration in the PIA Life Cycle Portal.

##### Process temperature

- Up to 80 °C (176 °F) **1**
- Up to 150 °C (302 °F) **2**
- Up to 250 °C (482 °F) **3**
- Up to 600 °C (1 112 °F)<sup>1)2)</sup> **4**
- Up to 80 °C (176 °F) basic version<sup>3)</sup> **5**

##### Power supply

- 230 V AC, 1 rev/min. **A**
- 230 V AC, 5 rev/min. **C**
- 115 V AC, 1 rev/min. **E**
- 115 V AC, 5 rev/min. **G**
- 48 V AC, 1 rev/min. **J**
- 24 V AC, 1 rev/min. **K**
- 24 V DC, 1 rev/min. **L**
- 24 V DC, 5 rev/min. **N**
- 48 V AC, 5 rev/min. **Z**
- 24 V AC, 5 rev/min. **Z**
- Universal voltage, 1 rev/min. **Z**
- Universal voltage, 1 rev/min., fail-safe **Z**
- Universal voltage, 5 rev/min. **Z**
- Universal voltage, 5 rev/min., fail-safe **Z**

##### Process connection

###### Threaded

- G 1¼" [(BSPP), EN ISO 228-1] **A**
- G 1½" [(BSPP), EN ISO 228-1] **B**
- 1¼" NPT [(Taper), ANSI/ASME B1.20.1] **C**
- 1½" NPT [(Taper), ANSI/ASME B1.20.1] **D**

###### Flanged

- DN 32 PN 6, EN 1092-1, flat face<sup>4)</sup> **E**
- DN 100 PN 6, EN 1092-1, flat face<sup>4)</sup> **F**
- DN 100 PN 16, EN 1092-1, flat face **G**
- 2" ASME 150 lb B16.5, raised face **H**
- 3" ASME 150 lb B16.5, raised face **J**
- 4" ASME 150 lb B16.5, raised face **K**

##### SITRANS LPS200 Rotary paddle point level switch, cable extension design

7ML5727-

Ord.  
code

Level detection in solids. Top mount, with extension options to 10 m (32.80 ft).

##### Process pressure

- Up to 0.5 bar (7.25 psi) **1**
- Up to 5 bar (72.5 psi) **2**
- Up to 10 bar (145 psi) **3**

##### Process connection material

- Aluminum<sup>5)</sup> **1**
- Stainless steel, threads 303 (1.4305), flanges 321 (1.4541) **2**

##### Cable extension length

- Standard cable length, 2 000 mm (78.74 inch) **0**
- Add Order code Y01 and plain text: "Insertion length ... mm"
- 500 ... 1 000 mm (19.69 ... 39.37 inch) **1**
- Cable length 1 001 ... 2 000 mm (39.41 ... 78.74 inch) **2**
- Cable length 2 001 ... 3 000 mm (78.78 ... 118.11 inch) **3**
- Cable length 3 001 ... 4 000 mm (118.15 ... 157.48 inch) **4**
- Cable length 4 001 ... 5 000 mm (157.52 ... 196.85 inch) **5**
- Cable length 5 001 ... 6 000 mm (196.89 ... 236.22 inch) **6**
- Cable length 6 001 ... 7 000 mm (236.26 ... 275.59 inch) **7**
- Cable length 7 001 ... 10 000 mm (275.63 ... 393.70 inch) **8**
- Without extension<sup>12)</sup> **9**

##### Measuring vane

- Boot shaped, 35 x 106 mm (1.38 x 4.17 inch)<sup>6)</sup> **A**
- Hinged vane, 65 x 200 mm (2.56 x 7.87 inch)<sup>6)</sup> **B**
- Boot shaped, 28 x 98 mm (1.10 x 3.86 inch)<sup>7)</sup> **C**
- Rectangular, 50 x 150 mm (1.97 x 5.91 inch)<sup>7)</sup> **D**
- Rectangular, 50 x 250 mm (1.97 x 9.84 inch)<sup>7)</sup> **E**
- Rectangular, 98 x 150 mm (3.86 x 5.91 inch)<sup>7)</sup> **F**
- Rectangular, 50 x 98 mm (1.97 x 3.86 inch)<sup>7)</sup> **G**

##### Approvals

- CSA/FM Dust Ignition Proof, RCM **A**
- ATEX II ½ D, RCM **B**
- CSA/FM General Purpose, RCM, CE **C**
- CE, RCM **D**
- IEC Ex ta/tb IIIC **E**
- EAC Ex ta/tb IIIC Da/Db **F**

Selection and ordering data	Order code	Article No.
<b>Further Designs</b>		
Please add <b>"-Z"</b> to Article No. and specify Order code(s).		
Total insertion length:	<b>Y01</b>	
Stainless steel tag [100 x 45 mm (3.94 x 1.77 inch)]: Measuring-point number/identification (max. 27 characters); specify in plain text	<b>Y14</b>	
Reinforced cable (max. 28 kN pulling force) <sup>8)</sup>	<b>P01</b>	
Heating of enclosure <sup>9)10)</sup>	<b>A35</b>	
Signal bulb inserted in M20 cable gland <sup>9)</sup>	<b>A20</b>	
Food grade materials (in contact with process), according to 1935/2004/EC, with FDA conform shaft sealing <sup>11)</sup>	<b>K01</b>	
Functional Safety (SIL 2). Device suitable for use in accordance with IEC 61508 and IEC 61511. <sup>13)14)</sup>	<b>C20</b>	
Factory test certificate - M to DIN 55350, Part 18	<b>C11</b>	
		<b>Operating Instructions</b>
		All literature is available to download for free, in a range of languages, at <a href="http://www.siemens.com/processinstrumentation/documentation">http://www.siemens.com/processinstrumentation/documentation</a>
		<b>Spare Parts</b>
		Replacement vane, boot shape, 35 x 106 mm (1.38 x 4.17 inch) <b>7ML1830-1KH</b>
		Hinged vane, 98 x 200 mm (3.86 x 7.87 inch) <b>7ML1830-1KJ</b>
		SITRANS LPS200, cable extension for up to 80 °C (176 °F), power supply Z (J2A), process connection B, process pressure 1, process connection material 2, extension length 0, measuring vane A, and approval B <b>7ML5727-5ZB12-0AB0 J2A</b>
		SITRANS LPS200, cable extension for up to 80 °C (176 °F), power supply Z (J2A), process connection C, process pressure 1, process connection material 2, extension length 0, measuring vane A, and approval A <b>7ML5727-5ZC12-0AA0 J2A</b>
		<sup>1)</sup> Available with approval options C and D up to max. 0.5 bar. <sup>2)</sup> Not available with process connections A, C, E. <sup>3)</sup> Only available with the following configurations 7ML5727-5ZC12-0AA0 J2A or 7ML5727-5ZB12-0AB0 J2A. <sup>4)</sup> Available with process pressure options 1 and 2 only. <sup>5)</sup> Available with process connections A ... E only, process pressure option 1 only and process temperature options 1 and 5 only. <sup>6)</sup> Add 16 mm (0.63 inch) to extension length. <sup>7)</sup> Available with process connections F ... K only. <sup>8)</sup> Available only for process temperature up to 80 °C (176 °F) and process connection material 2. <sup>9)</sup> Available with approval option D. <sup>10)</sup> Available only with Power supply options J2A, J2B, J2C, and J2D. <sup>11)</sup> Available up to 250 °C (482 °F). This option does not automatically implement a food conform design (food conform gaps and radius). <sup>12)</sup> Not available with P01 and available with Approval D, mounting kit for rope extension included. <sup>13)</sup> Available with Power supply options J2A and J2C only. <sup>14)</sup> Available with Approval options A, B, C, D, and E only. Approvals A and C with FM only.

## Level measurement

Point level measurement

Rotation paddle switches

### SITRANS LPS200

#### Selection and ordering data

#### Article No.

#### Order code

#### SITRANS LPS200 Rotary paddle point level switch, angled extension design

Level detection in aggressive applications. Bottom or side mount with enhanced shaft protection. Extension options to 300 mm (11.81 inch).

➤ Click on the Article No. for the online configuration in the PIA Life Cycle Portal.

#### Process temperature

Up to 80 °C (176 °F)

Up to 150 °C (302 °F)

Up to 250 °C (482 °F)

#### Power supply

230 V AC, 1 rev./min.

230 V AC, 5 rev./min.

115 V AC, 1 rev./min.

115 V AC, 5 rev./min.

48 V AC, 1 rev./min.

24 V AC, 1 rev./min.

24 V DC, 1 rev./min.

24 V DC, 5 rev./min.

48 V AC, 5 rev./min.

24 V AC, 5 rev./min.

Universal voltage, 1 rev./min.

Universal voltage, 1 rev./min., fail-safe

Universal voltage, 5 rev./min.

Universal voltage, 5 rev./min., fail-safe

#### Process connection

##### Flanged

DN 100 PN 6, EN 1092-1, flat face<sup>1)</sup>

DN 100 PN 16, EN 1092-1, flat face

4" ASME 150 lb B16.5, raised face

#### Process pressure

Up to 0.5 bar (7.25 psi)

Up to 5 bar (72.5 psi)

Up to 10 bar (145 psi)

#### Process connection material

Stainless steel 303/321 (1.4305/1.4541)

#### Extension length

125 mm (4.92 inch)

150 mm (5.91 inch)

200 mm (7.87 inch)

250 mm (9.84 inch)

300 mm (11.81 inch)

#### Measuring vane

Rectangular vane, 50 x 98 mm (1.97 x 3.86 inch)

Rectangular vane, 50 x 150 mm (1.97 x 5.91 inch)

Rectangular vane, 50 x 250 mm (1.97 x 9.84 inch)

Rectangular vane, 98 x 150 mm (3.86 x 5.91 inch)

Rectangular vane, 98 x 250 mm (3.86 x 9.84 inch)

Hinged vane, 65 x 200 mm (2.56 x 7.87 inch)

#### Approvals

CSA/FM Dust Ignition Proof, RCM

ATEX II ½ D, RCM

CSA/FM General Purpose, RCM, CE

CE, RCM

IEC Ex ta/tb IIIC

EAC Ex ta/tb IIIC Da/Db

Article No.	Ord. code
7ML5728-	
1	
2	
3	
A	
C	
E	
G	
J	
K	
L	
N	
Z	J 1 B
Z	J 1 E
Z	J 2 A
Z	J 2 B
Z	J 2 C
Z	J 2 D
A	
B	
C	
1	
2	
3	
1	
2	
3	
4	
5	
A	
B	
C	
D	
E	
F	
A	
B	
C	
D	
E	
F	

#### Further Designs

Please add "-Z" to Article No. and specify Order code(s).

Heating of enclosure<sup>2)3)</sup>

A35

Signal bulb inserted in M20 cable gland<sup>2)</sup>

A20

Food grade materials (in contact with process), according to 1935/2004/EC, with FDA conform shaft sealing<sup>4)</sup>

K01

Stainless steel tag [100 x 45 mm (3.94 x 1.77 inch)]; Measuring-point number/identification (max. 27 characters); specify in plain text

Y14

Functional Safety (SIL 2). Device suitable for use in accordance with IEC 61508 and IEC 61511.<sup>5)6)</sup>

C20

Factory test certificate - M to DIN 55350, Part 18

C11

#### Operating Instructions

Article No.

All literature is available to download for free, in a range of languages, at

<http://www.siemens.com/processinstrumentation/documentation>

#### Spare Parts

Replacement vane, boot shape, 35 x 106 mm (1.38 x 4.17 inch)

7ML1830-1KH

Hinged vane, 98 x 200 mm (3.86 x 7.87 inch)

7ML1830-1KJ

<sup>1)</sup> Available with process pressure options 1 and 2 only.

<sup>2)</sup> Available with Approval option D only.

<sup>3)</sup> Available only with Power supply options J2A, J2B, J2C, and J2D.

<sup>4)</sup> This option does not automatically implement a food conform design.

<sup>5)</sup> Available with Power supply options J2A and J2C only.

<sup>6)</sup> Available with Approval options A, B, C, D, and E only. Approvals A and C with FM only.



Selection and ordering data	Article No.	Article No.
<b>SITRANS LPS200 Rotary paddle point level switch, rigid extension design</b> Level detection in solids. Top mount, with extension options to 4 m (13.12 ft). ↗ Click on the Article No. for the online configuration in the PIA Life Cycle Portal.	7ML5730-	7ML5730-
	Ord. code	Ord. code
<b>Process temperature</b>		
Up to 80 °C (176 °F)	1	A
Up to 150 °C (302 °F)	2	B
Up to 250 °C (482 °F)	3	C
Up to 600 °C (1 112 °F) <sup>1)2)</sup>	4	D
<b>Power supply</b>		
230 V AC, 1 rev/min.	A	E
230 V AC, 5 rev/min.	C	G
115 V AC, 1 rev/min.	E	H
115 V AC, 5 rev/min.	G	J
48 V AC, 1 rev/min.	J	K
24 V AC, 1 rev/min.	K	L
24 V DC, 1 rev/min.	L	N
24 V DC, 5 rev/min.	N	Z
48 V AC, 5 rev/min.	Z	J 1 B
24 V AC, 5 rev/min.	Z	J 1 E
Universal voltage, 1 rev/min.	Z	J 2 A
Universal voltage, 1 rev/min., fail-safe	Z	J 2 B
Universal voltage, 5 rev/min.	Z	J 2 C
Universal voltage, 5 rev/min., fail-safe	Z	J 2 D
<b>Process connection</b>		
<u>Threaded</u>		
G 1¼" [(BSPP), EN ISO 228-1]	A	
G 1½" [(BSPP), EN ISO 228-1]	B	
1¼" NPT [(Taper), ANSI/ASME B1.20.1]	C	
1½" NPT [(Taper), ANSI/ASME B1.20.1]	D	
<u>Flanged</u>		
DN 32 PN 6, EN 1092-1, flat face <sup>3)</sup>	E	
DN 100 PN 6, EN 1092-1, flat face <sup>3)</sup>	F	
DN 100 PN 16, EN 1092-1, flat face	G	
2" ASME 150 lb B16.5, raised face	H	
3" ASME 150 lb B16.5, raised face	J	
4" ASME 150 lb B16.5, raised face	K	
2" Tri-clamp 2 (DN 50) ISO 2852 <sup>4)</sup>	L	
<b>Process pressure</b>		
Up to 0.5 bar (7.25 psi)	1	
Up to 5 bar (72.5 psi)	2	
Up to 10 bar (145 psi)	3	
<b>Process connection material</b>		
Aluminum <sup>5)</sup>	1	
Stainless steel, threads 303 (1.4305), flanges 321 (1.4541), Tri-clamp 304 (1.4301)	2	
Stainless steel 316L (1.4404) <sup>6)</sup>	3	
<b>Extension material (protection tube)</b>		
Aluminum <sup>7)8)</sup>	0	
Stainless steel 303 (1.4305) <sup>9)</sup>	1	
Stainless steel 316L (1.4404) <sup>10)11)22)</sup>	2	
<b>SITRANS LPS200 Rotary paddle point level switch, rigid extension design</b>		
Level detection in solids. Top mount, with extension options to 4 m (13.12 ft).		
<b>Extension length</b>		
<u>Aluminum</u>		
250 ... 500 mm (9.84 ... 19.69 inch)		A
501 ... 750 mm (19.72 ... 29.53 inch)		B
751 ... 1 000 mm (29.57 ... 39.37 inch)		C
1 001 ... 1 250 mm (39.41 ... 42.21 inch)		D
1 251 ... 1 500 mm (49.25 ... 59.06 inch)		E
1 501 ... 1 750 mm (59.09 ... 68.90 inch)		F
1 751 ... 2 000 mm (68.94 ... 78.74 inch)		G
2 001 ... 2 250 mm (78.78 ... 88.58 inch)		H
2 251 ... 2 500 mm (88.62 ... 98.43 inch)		J
2 501 ... 2 750 mm (98.46 ... 108.27 inch)		K
2 751 ... 3 000 mm (108.31 ... 118.11 inch)		L
3 001 ... 3 250 mm (118.15 ... 127.95 inch)		M
3 251 ... 3 500 mm (127.99 ... 137.80 inch)		N
3 501 ... 3 750 mm (137.83 ... 147.64 inch)		P
3 751 ... 4 000 mm (147.67 ... 157.48 inch)		Q
<u>Stainless steel 303 (1.4305)</u>		
250 ... 500 mm (9.84 ... 19.69 inch)		R
501 ... 750 mm (19.72 ... 29.53 inch)		S
751 ... 1 000 mm (29.57 ... 39.37 inch)		T
1 001 ... 1 500 mm (39.41 ... 59.05 inch)		U
1 501 ... 2 000 mm (59.09 ... 78.74 inch)		V
2 001 ... 2 500 mm (78.78 ... 98.42 inch)		W
2 501 ... 3 000 mm (98.46 ... 118.11 inch)		X
3 001 ... 4 000 mm (118.15 ... 157.48 inch)		Y
<u>Stainless steel 316L (1.4404)</u>		
250 ... 500 mm (9.84 ... 19.69 inch)		Z
501 ... 750 mm (19.72 ... 29.53 inch)		P 1 A
751 ... 1 000 mm (29.57 ... 39.37 inch)		P 1 B
1 001 ... 1 500 mm (39.41 ... 59.05 inch)		P 1 C
1 501 ... 2 000 mm (59.09 ... 78.74 inch)		P 1 D
2 001 ... 2 500 mm (78.78 ... 98.42 inch)		P 1 E
2 501 ... 3 000 mm (98.46 ... 118.11 inch)		P 1 F
3 001 ... 4 000 mm (118.5 ... 157.48 inch)		P 1 G
		P 1 H
<b>Measuring vane</b>		
Boot shaped, 35 x 106 mm (1.34 x 4.17 inch) <sup>12)</sup>		A
Hinged vane, 65 x 200 mm (2.56 x 7.87 inch) <sup>12)</sup>		B
Rectangular, 50 x 150 mm (1.97 x 5.91 inch) <sup>13)</sup>		C
Rectangular, 50 x 250 mm (1.97 x 9.84 inch) <sup>13)</sup>		D
Rectangular, 98 x 150 mm (3.86 x 5.91 inch) <sup>13)</sup>		E
Rectangular, 98 x 250 mm (3.86 x 9.84 inch) <sup>13)</sup>		F
Rectangular, 50 x 98 mm (1.97 x 3.86 inch) <sup>13)</sup>		G
<b>Approvals</b>		
CSA/FM Dust Ignition Proof, RCM		1
ATEX II ½ D, RCM		2
CSA/FM General Purpose, RCM, CE		3
CE, RCM		4
IEC Ex ta/tb IIIC		5
EAC Ex ta/tb IIIC Da/Db		6

## Level measurement

Point level measurement

Rotation paddle switches

### SITRANS LPS200

#### Selection and ordering data

#### Order code

#### Article No.

##### Further Designs

Please add **"-Z"** to Article No. and specify Order code(s).

Total insertion length: Enter the total insertion length in plain text description, max. 4 000 mm (157.48 inch)

**Y01**

Stainless steel tag [100 x 45 mm (3.94 x 1.77 inch)]; Measuring-point number/identification (max. 27 characters); specify in plain text

**Y14**

Heating of enclosure<sup>14)15)</sup>

**A35**

Signal bulb inserted in M20 cable gland<sup>14)</sup>

**A20**

Food grade materials (in contact with process), according to 1935/2004/EC, with FDA conform shaft sealing<sup>16)17)</sup>

**K01**

Functional Safety (SIL 2). Device suitable for use in accordance with IEC 61508 and IEC 61511.<sup>20)21)</sup>

**C20**

Factory test certificate - M to DIN 55350, Part 18

**C11**

##### Optional end of shaft seal for stability and ingress protection

Max. temperature 80 °C (176 °F)

**P06**

Max. temperature 150 °C (302 °F)

**P07**

Max. temperature 250 °C (482 °F)

**P08**

Max. temperature 600 °C (1 112 °F)

**P09**

Sliding sleeve: standard, max. pressure 0.5 bar<sup>14)18)</sup>

**P12**

Sliding sleeve: pressure tight, for over-pressure application, dependent on pressure option ordered<sup>19)</sup>

**P13**

##### Operating Instructions

All literature is available to download for free, in a range of languages, at

<http://www.siemens.com/processinstrumentation/documentation>

##### Spare Parts

Replacement vane, boot shape, 35 x 106 mm (1.38 x 4.17 inch)

**7ML1830-1KH**

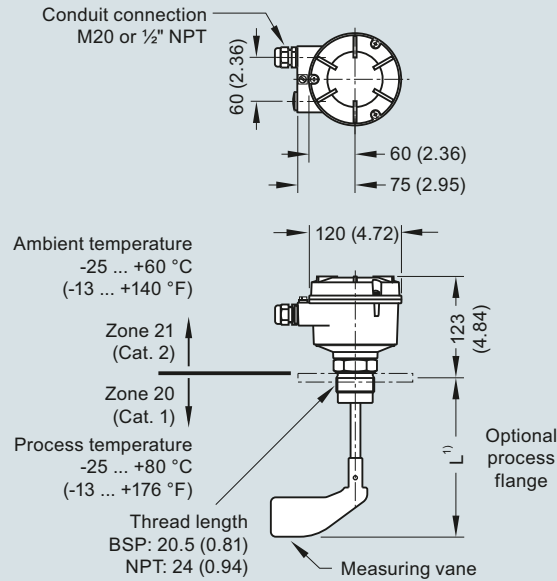
Hinged vane, 98 x 200 mm (3.86 x 7.87 inch)

**7ML1830-1KJ**

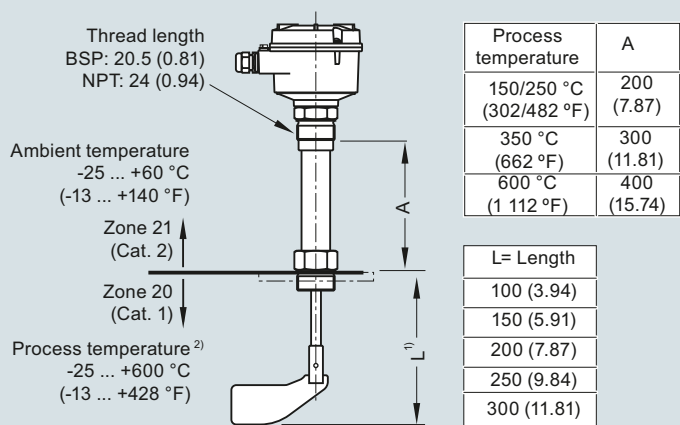
- 1) Available with approval options 3 and 4, up to max 0.5 bar.
- 2) Not available with process connections A, C, E.
- 3) Available with process pressure options 1 and 2 only.
- 4) Available with process temperature 1 only.
- 5) Available with process connections A ... E only, with process pressure option 1 and process temperature option 1 only.
- 6) Available with process connection options B, D, F ... L and measuring vane option A.
- 7) Available with process pressure 1 and process temperature 1 only.
- 8) Available with extension length options A ... Q only.
- 9) Available with extension length options R ... Y only.
- 10) Available with process connection options B, D, F ... L and measuring vane A, process connection material 3. Available only with extension length options P1A ... P1H only.
- 11) Only available with seal at tube end options P06 ... P09.
- 12) Add 16 mm (0.63 inch) to extension length.
- 13) Available with process connections F, G, H, J, K only.
- 14) Available with approval option 4 only.
- 15) Available only with Power supply options J2A, J2B, J2C, and J2D.
- 16) Available when ordered with ingress protection seal options P06 ... P09 only.
- 17) Available up to 250 °C (482 °F). This option does not automatically implement a food conform design.
- 18) Available with process pressure option 1 only.
- 19) Available up to 250 °C (482 °F).
- 20) Available with Power supply options J2A and J2C only.
- 21) Available with Approval options 1, 2, 3, 4, and 5 only. Approvals 1 and 3 with FM only.
- 22) Internal probe construction is 1.4305, add seal option P09 to prevent ingress.

**Dimensional drawings**

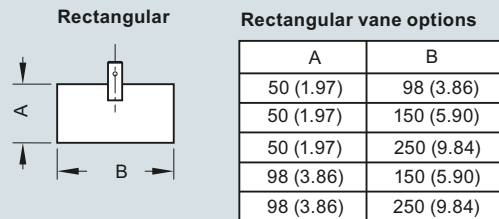
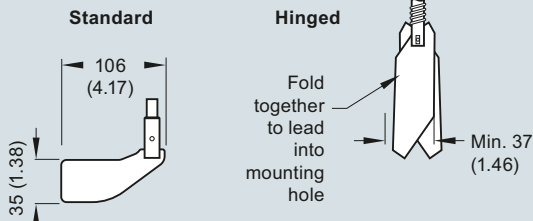
**Standard model: compact version**



**High temperature model: compact version**



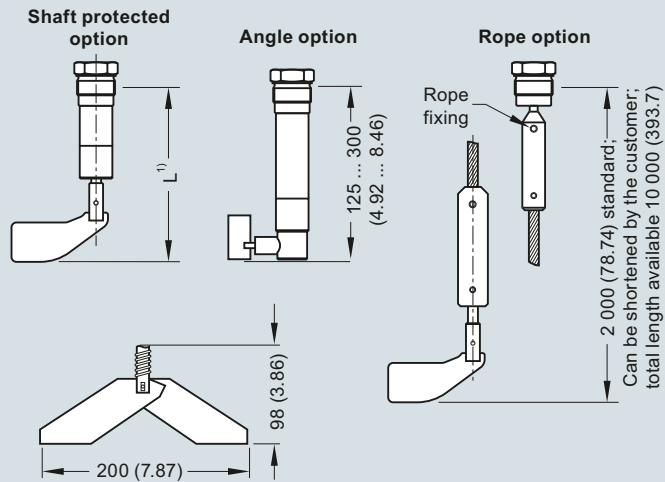
**Measuring vanes**



- For 35 x 106 mm boot shaped and 98 x 200 mm hinged measuring vanes, add 16 mm to extension length.
- For use with all approval options except CSA class II. See manual for more details.

**Notes**

For heavy material, only top mounting of paddle switch is recommended.  
Compact LPS200 is recommended for side mounting on bins for low or intermediate material levels.



Vane	Completely covered with material		Covered up to 10 cm (3.93 inch) with material	
	Spring adjustment		Spring adjustment	
	Light	Central (factory setting)	Light	Central (factory setting)
Boot shaped 35 x 106 mm	200 g/l (12.5 lb/ft <sup>3</sup> )	300 g/l (18.7 lb/ft <sup>3</sup> )	100 g/l (6.2 lb/ft <sup>3</sup> )	150 g/l (9.4 lb/ft <sup>3</sup> )
Boot shaped 28 x 98 mm	300 g/l (18.7 lb/ft <sup>3</sup> )	500 g/l (31.2 lb/ft <sup>3</sup> )	150 g/l (9.4 lb/ft <sup>3</sup> )	150 g/l (9.4 lb/ft <sup>3</sup> )
Rectangular 50 x 98 mm	300 g/l (18.7 lb/ft <sup>3</sup> )	500 g/l (31.2 lb/ft <sup>3</sup> )	150 g/l (9.4 lb/ft <sup>3</sup> )	250 g/l (15.6 lb/ft <sup>3</sup> )
Rectangular 50 x 150 mm	80 g/l (5.0 lb/ft <sup>3</sup> )	120 g/l (7.5 lb/ft <sup>3</sup> )	40 g/l (2.5 lb/ft <sup>3</sup> )	60 g/l (3.7 lb/ft <sup>3</sup> )
Rectangular 50 x 250 mm	30 g/l (1.9 lb/ft <sup>3</sup> )	50 g/l (3.1 lb/ft <sup>3</sup> )	15 g/l (0.9 lb/ft <sup>3</sup> )	25 g/l (1.6 lb/ft <sup>3</sup> )
Rectangular 98 x 150 mm	30 g/l (1.9 lb/ft <sup>3</sup> )	50 g/l (3.1 lb/ft <sup>3</sup> )	15 g/l (0.9 lb/ft <sup>3</sup> )	25 g/l (1.6 lb/ft <sup>3</sup> )
Rectangular 98 x 250 mm	20 g/l (1.2 lb/ft <sup>3</sup> )	30 g/l (1.9 lb/ft <sup>3</sup> )	15 g/l (0.9 lb/ft <sup>3</sup> )	15 g/l (0.9 lb/ft <sup>3</sup> )
Hinged 98 x 200 mm	70 g/l (4.4 lb/ft <sup>3</sup> )	100 g/l (6.2 lb/ft <sup>3</sup> )	35 g/l (2.2 lb/ft <sup>3</sup> )	50 g/l (3.1 lb/ft <sup>3</sup> )

SITRANS LPS200, dimensions in mm (inch)

## Level measurement

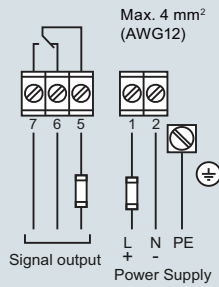
Point level measurement

Rotation paddle switches

### SITRANS LPS200

#### Circuit diagrams

##### AC or DC version



##### Power supply:

###### AC version:

24 V or 48 V or 115 V or 230 V 50/60 Hz max. 4 VA  
 All voltages  $\pm 10\%$ <sup>1)</sup>  
 Supply voltage as selected.  
 External fuse: max 10 A, fast or slow, HBC, 250 V

###### DC version:

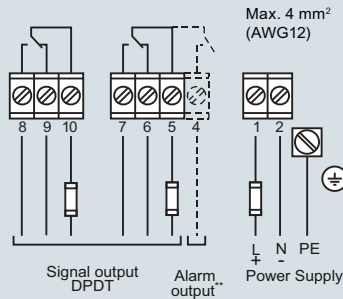
24 V DC  $\pm 15\%$ <sup>1)</sup> max. 2.5 W  
 External fuse: not required

<sup>1)</sup> Including  $\pm 10\%$  of EN 61010

##### Signal output:

Micro switch, SPDT contact  
 max. 250 V AC, 5 A, non inductive  
 max. 30 V DC, 4 A, non inductive  
 External fuse: max 10 A, fast or slow, HBC, 250 V

##### Universal voltage (DPDT relay)\*



\* See manual for universal voltage with SIL.

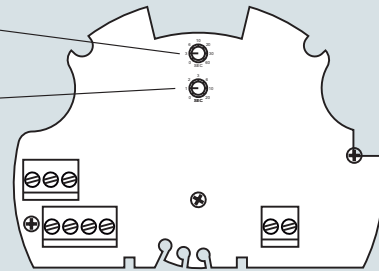
\*\* With option Fail safe alarm (rotation control).  
 Contact open when de-energised.  
 Fail safe alarm switching and timing behaviour:  
 If the vane is not covered, the rotating vane shaft will send pulses at 20 second intervals.  
 In case of fault, the pulses are missed.  
 After 30 seconds, the alarm relay will open.

##### Signal output: delay

Sensor covered -> free  
 Factory setting = 3 sec



Sensor covered -> covered  
 Factory setting = 1 sec



SITRANS LPS200 connections